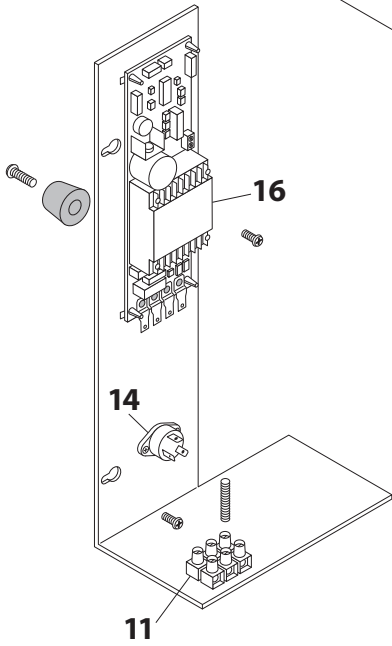
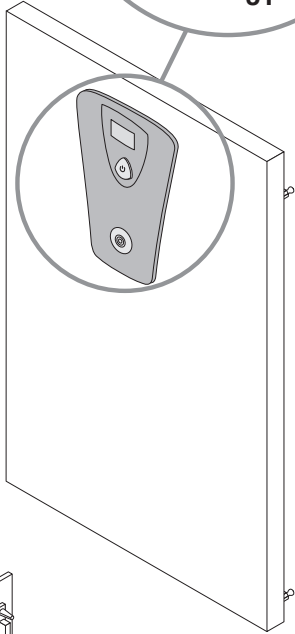
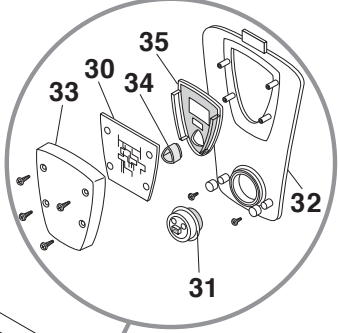


Instanta

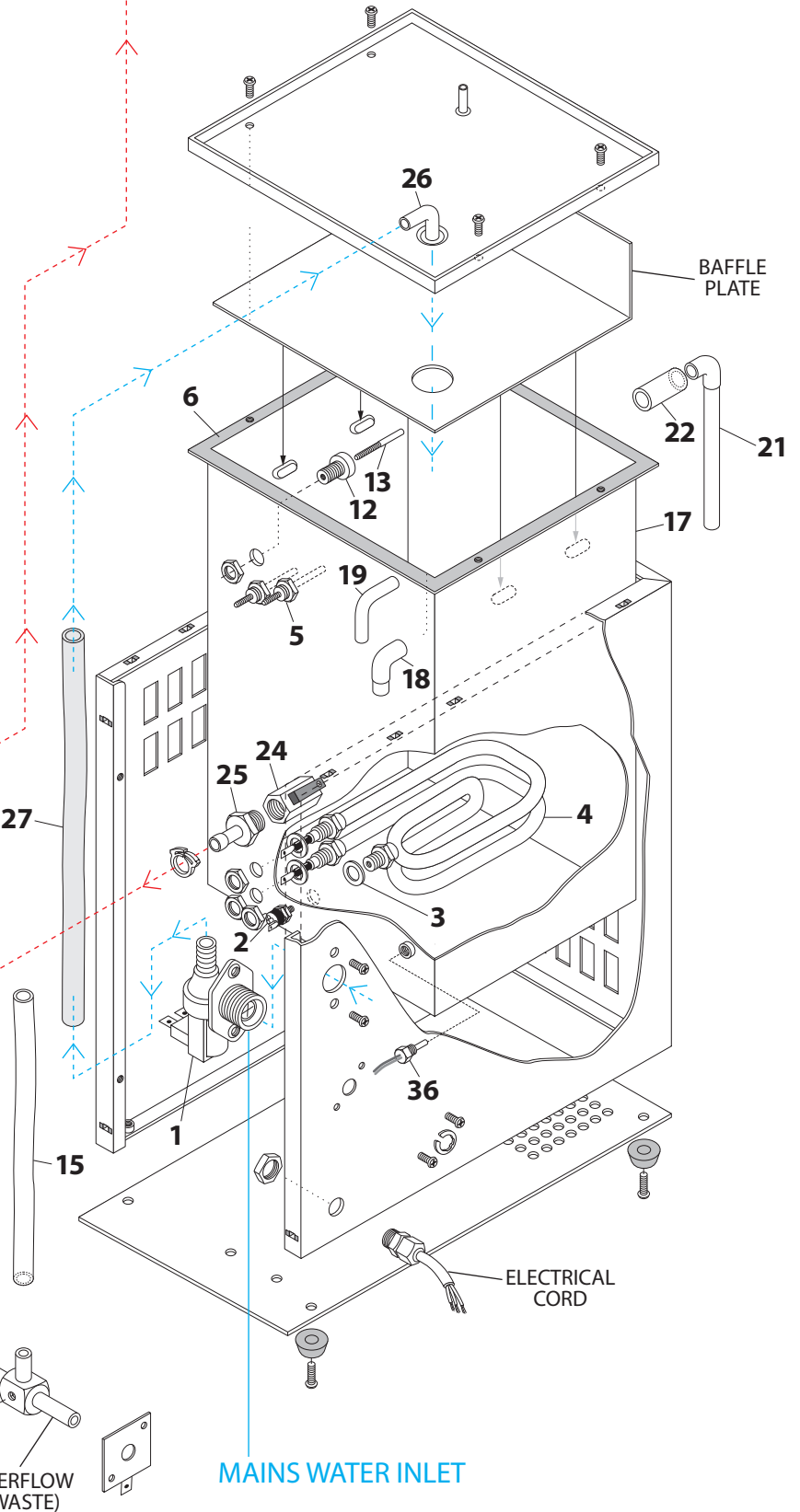
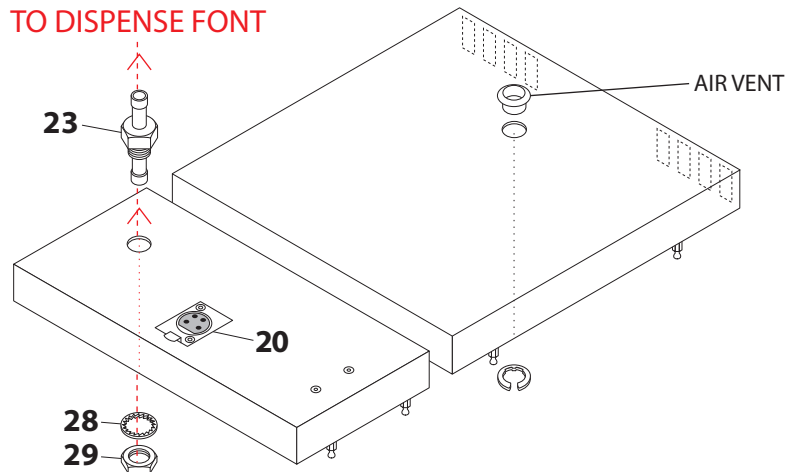
UCB

D.107-SP

180°



TO DISPENSE FONT



UCB5, 10, 15, 47 Single Font Under-Counter Dispense Range - Drawing Key			
Drawing No.	Description	Part No.	Price (£)
1	Cold Water Solenoid Valve c/w NR Valve	SOL31	32.75
2	Thermal Cut-out (120°C)	XETR5	9.14
3	Element Washer	XEN100/W	1.38
4	Element	XEN175 (UCB5) XEN200 (UCB10 & 15) XEN225 (UCB47)	69.08
5	Probe Assembly	PRB1/A	17.06
6	Tank Gasket	UCB5/G (UCB5) EEN15G/N (UCB10 & 15) XENDB40 (UCB47)	25.48 25.48 31.15
7	Thermal Cut-out (90°C)	XETR7	9.14
8	Grey Silicone Overflow Pipe	ACC309/S	9.14/mtr
9	Hot Water Pump	D307	163.01
10	Clear Silicone Hot Water Pipe	SR9	14.73/mtr
11	Terminal Block	E1254 (UCB5, 10 & 15)	3.69
12	Probe Holder	E307A	8.85
13	Stainless Steel Probe	PRB1/C	5.31
14	Triac	XE851 (3Kw) XE854 (6kW – UCB47)	15.83 24.44
15	Silicone Overflow Tube	ACC309/S	9.14/mtr
16	Main PCB	XEF405	149.50
17	Main Tank	Ask Spares	--
18	Overflow Adaptor	Ring spares	--
19	Air-vent Elbow	Ask Spares	--
20	XLR Socket (to font)	XE863/4	12.94
N/A	Overflow Dip Pipe		
N/A	Silicone Rubber Pipe Sleeve		
23	Hot Water Outlet	UCF01	6.95
24	Ball Valve	XCD1020	10.45
25	Brass Ball Valve Adaptor	CFS1	2.68
26	Copper Plated Cold Water Inlet Elbow	Ring Spares	--
27	Grey Silicone Inlet Pipe	ACC309/S	9.14/mtr
28	Shakeproof Washer	BV40	0.95
29	Locknut	B306	1.79
30	Display PCB	XEF404	67.15
31	Blank	Ask Spares	--
32	Front Fascia	DBPLA2	Ask Spares
33	Back Box	EC370/PS	Ask Spares
34	On/Off Rubber Button	XEF600	Ask Spares
35	Display Window	XEN613	Ask Spares
36	Thermistor (Screw-in Type)	XE853/PRB	13.65
36	Thermistor (Stick-on)	XE853	13.65
--	Baffle Plates	Ring Spares	Ask Spares
--	Chrome Air Vent	XETR9/N/C	Ask Spares