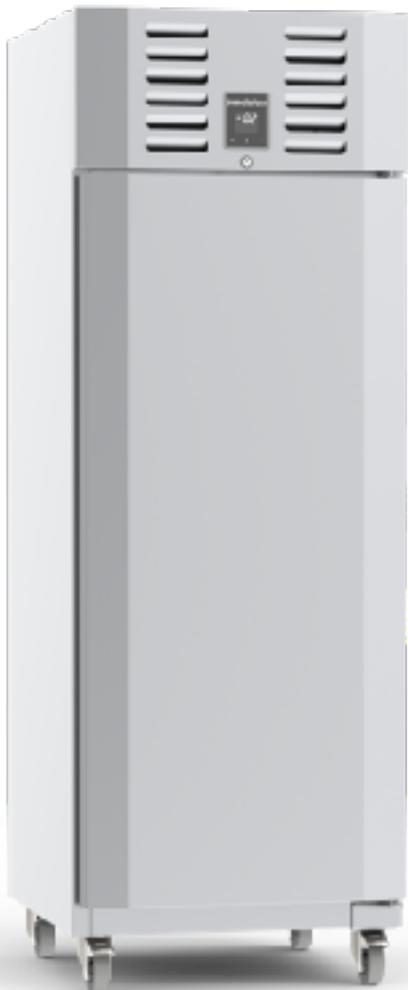


OPERATING INSTRUCTIONS: Professional Refrigeration and Heated Cabinets

V1/2017



This page is intentionally left blank

Contents

General Hazards	4
Electrical Connection	4
Unpacking	4
Installation	4
Ventilation	4
Shelves / Pans / Slides	5
Castors / Adjustable Legs / Levelling Feet	5
Initial Start Up (<i>LAE Controller Display</i>)	7
Checks	7
Using Your New Piece of Refrigeration Equipment	7
Commissioning Instructions	8
Refrigerators +1°C to +4°C	8
Meat Refrigerators -2°C to +4°C	9
Freezers -18°C to -22°C	10
Heated Cabinets +78°C to +82°C	10
Variable Temperature Models +10°C and -22°C	10
Maintenance and Cleaning: Condenser, Gasket Replacement	11
End of Life Disposal Requirements	11
Fault Finding: Alarms	12
Lae Controller Wiring Diagrams	13
Notes	14-15

All information are subject to change without prior notice.

General Hazards

All moving parts of the refrigerator are suitably guarded and the moving parts can only be accessed by using tools which should only be attempted by a qualified person.

Electrical Connection

This product is supplied with a moulded plug which needs a suitable socket. This cabinet should not be used outside and should be used in a dry environment. The plug needs to be accessible once the equipment is placed in its final position. Should the plug need changing, this must be done by a qualified person.



Unpacking

Leave all packaging in place until refrigerator is in its final position to avoid damage. When the cabinet is in its final position, carefully remove all packaging and check for damage. Any damage should be reported immediately to your dealer. All packaging should be carefully disposed of and recycled where possible.

Installation

The cabinet is very easy to move around as most precision products are supplied on castors. If for any reason the cabinet has to be laid down, it should always be laid on its back and not its side or front to avoid damage. When lowering or raising the cabinet extreme care should be taken as the casters can run away whilst lifting or lowering. A person should always be standing at the base of the cabinet whilst it is being lowered or raised. Cabinet should not be plugged in for at least 1 hour if it has been laid down or tipped during installation.

This product must be placed on a level floor to ensure the automatic door closing and correct draining of condensate. This is especially important with freezers.

Ventilation

Refrigeration equipment generates a lot of heat. A 2 door freezer cabinet for example gives off the same heat as a 3kW electric heater. Therefore, it is very important that the cabinet must be installed with sufficient space around it for ventilation and for maintenance access. Ventilation grills must not be blocked, or even partially blocked as this could affect the cabinet's performance and life span.

Shelves / Pans / Slides

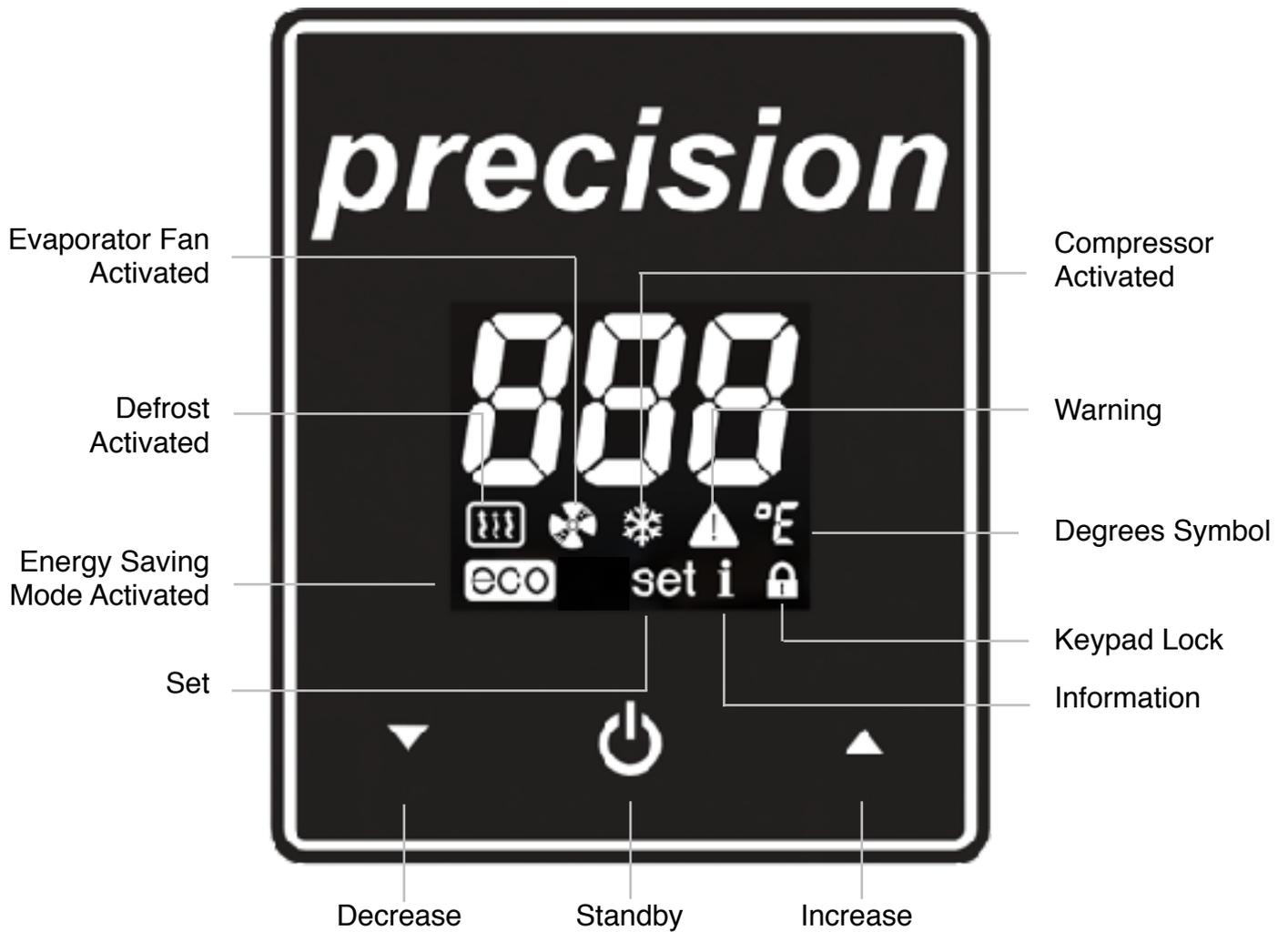
Cut the nylon ties holding the shelves in position for transportation. Fit the shelves in the correct position to suit the user.



Castors / Adjustable Legs / Levelling Feet

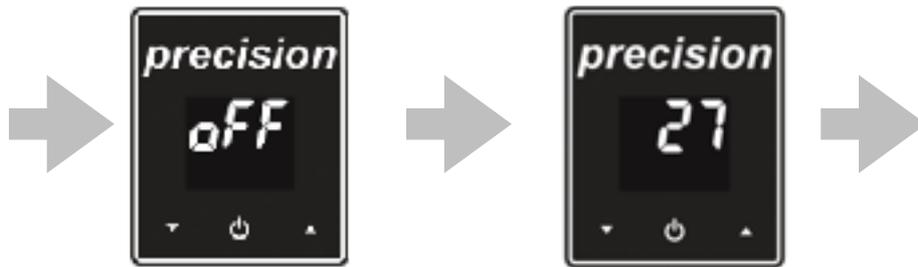
Lock the two front castors once the cabinet is in its final position by pressing down the metal bar with your foot. This will stop the cabinet from moving when the door is opened and closed. The level on models fitted with castors can't be adjusted so a level floor should be provided. Models fitted with adjustable legs or levelling feet can be levelled by screwing the legs/feet in or out to the desired height.

LAE Electronic Controller Display



Initial Start Up

Plug the moulded plug into a suitable socket. If necessary, push the  button on the controller to start the unit. The cabinet air temperature will be displayed once the unit is running. To standby the unit when running, press and hold the  button for 3 seconds.



Example: *Current* temperature

Checks

After initial start up, after 3 minute time delay the cabinet should start to pull down to the preset temperature, check that the temperature is reducing and listen inside and outside the cabinet to make sure the fans are turning freely to check there has been no movement in shipping. If time permits, stay with the cabinet until the preset temperature is reached and the condensing unit cuts out. The preset temperature can be checked by pressing the  and  button on the controller.

Using Your New Piece Of Refrigeration Equipment

The cabinet must reach its preset operating temperature before loading any produce. Ensure stored products are evenly distributed on shelves ensuring that no more than 40kg are placed on each shelf.

Cover all foods ensuring that cooked and raw foods are kept separate to avoid cross contamination.

To ensure even product temperature, it is recommended that no food product is stored below the lowest shelf support.

Warm or hot food should never be stored inside the cabinet.

Foods containing acetic acids or yeast should be covered or ideally stored in airtight containers otherwise premature failure of the refrigeration system may occur.

Commissioning Instructions

Refrigerators +1°C to +4°C

Temperature Setting

Refrigerators are designed to operate between +1°C and +4°C depending on the model. The control is preset at the factory for this temperature and should require no readjustment.

The temperature setting can be checked by pressing and holding the ▽ or △ buttons. This setting can then be changed to better meet site conditions by pressing the ▽ or △ arrows and then ⏻ to confirm. (Refrigerators have a maximum setting of +10°C and a minimum of +1°C.) The temperature set is the cut out (stopping) temperature, the cut in (starting) temperature is determined by the differential.

Defrosting

All Precision refrigerated cabinets are fitted with a fully automated defrost system that ensures the cooling system remains free from ice under normal conditions. If a manual defrost is required, this can be activated by simultaneously pressing ⏻ and △ , which will terminate automatically once the pre-programmed temperature has been reached.

Meat Refrigerators -2°C to +4°C

Temperature Setting

Precision's Gastronorm Cabinets and Counter Refrigerators are designed to operate between -2°C and +4°C. The control is preset at the factory for this temperature and should require no readjustment.

The temperature setting can be checked by pressing and holding the ▽ or △ button. This setting can then be changed to better meet site conditions by pressing the ▽ or △ arrows. (Refrigerators have a maximum setting of 10°C and a minimum of -2°C.) The temperature set is the cut out (stopping) temperature, the cut in (starting) temperature is determined by the differential.

Defrosting

All Precision meat temperature refrigerated cabinets are fitted with a fully automated defrost system that ensures the cooling system remains free from ice under normal conditions. If a manual defrost is required, this can be activated by simultaneously pressing ⏻ and △, which will terminate automatically once the pre-programmed temperature has been reached.

Freezers -18°C to -22°C

Temperature Setting

Freezers are designed to operate between -18°C and -21°C. The control is preset at the factory for this temperature and should require no readjustment.

The temperature setting can be checked by pressing and holding the ▽ or △ buttons. This setting can then be changed to better meet site conditions by pressing the ▽ or △ arrows and then  to confirm. (Freezers have a maximum setting of -18°C and a minimum of -22°C.) The temperature set is the cut out (stopping) temperature, the cut in (starting) temperature is determined by the differential.

Defrosting

All Precision freezer cabinets are fitted with a fully automated defrost system that ensures the cooling system remains free from ice under normal conditions. If a manual defrost is required, this can be activated by simultaneously pressing  and △, which will terminate automatically once the pre-programmed temperature has been reached.

Heated Cabinets (No Defrosting)

Heated Cabinets are designed to operate between +78°C and +82°C. The control is preset at the factory for this temperature and should require no readjustment.

The temperature setting can be checked by pressing and holding the ▽ or △ buttons. This setting can then be changed to better meet site conditions by pressing the ▽ or △ arrows and then  to confirm. (Heated Cabinets have a maximum setting of +82°C and a minimum of +78°C.) The temperature set is the cut out (stopping) temperature, the cut in (starting) temperature is determined by the differential.

Variable Temperature Models

These models can be used as a Refrigerator -2/+4°C or a Freezer -18/-22°C. Simply press ▽ or △ to change the temperature and then the  button to confirm.

Maintenance

The cabinet is fully automatic and apart from cleaning needs very little maintenance.

Interior and exterior should be cleaned with soap and water and no abrasives should be used as they will scratch and spoil the stainless steel finish. Interior shelving and racking can be removed on most models for easy cleaning. Counter drawer sets can be fully removed and the drawers can be washed in a dish washer if needed.

Maintenance and Cleaning

Before cleaning and maintenance, the cabinet should be in standby mode then unplugged from the power supply.

Door Gaskets should be cleaned with warm soapy water and inspected on a regular basis and if damaged they should be replaced. Cooking oils and harsh cleaning detergents will shorten the life of the gaskets and contact should be avoided.

Condenser Cleaning

All the heat removed from the cabinet is discharged into the room via the condenser which is similar to a car radiator. This must be kept clean so that the air can pass through it to remove the heat, if it becomes choked with dust the unit will over heat and this can lead to poor cooling performance, increased energy consumption and premature mechanical failure. The condenser should be brushed with a soft brush to remove any dust deposited on the alloy fins. The frequency of this cleaning is determined by the amount of dust in the surrounding area but should be cleaned at least 4 times a year.

Gasket Replacement

Damaged gaskets can easily be replaced. Remove the old gasket by gently pulling it out of the gasket retainer and simply push in the new gasket leaving the corners until last.



End of Life Disposable Requirements

Refrigerated cabinets have components that could be harmful to the environment. All end of life equipment must be disposed of in accordance with national laws and regulations.

Fault Finding

In the event of cabinet fault/failure, please check the following:

1. Plug is in socket and power to the socket can be proven by plugging another appliance into the same socket or swapping the problem cabinet to a socket that is known to work.
2. The fuse located in the plug is intact.
3. The condenser is clean and free from dust or debris.
4. Door gasket is sealing and free from damage.
5. Check if the evaporator is iced up, if found to be iced up press and hold  and  together to activate a manual defrost cycle.

If this doesn't solve the problem, please call a qualified technician.

When requesting a service call, please find the manufacturers data plate and provide the model, serial number and details of any fault codes that are displayed.

Alarms

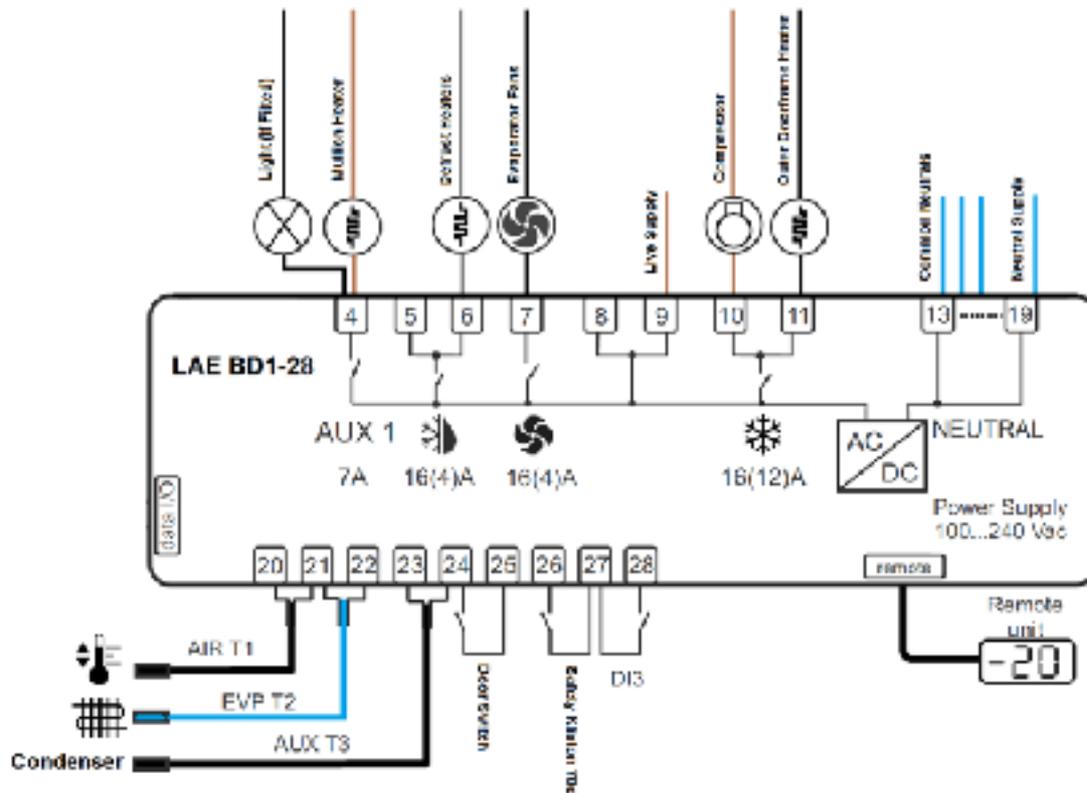
The controller is equipped with visual and audio alarms:

Alarm Displayed	Description	Action Required
do	Door Open Alarm	Close door
hc	Condenser High Temperature Alarm	Check for blockage / clean
hp	High Temperature Safety Stat	Call Engineer
hi	High Temperature Alarm	Press a button to cancel / check
Lo	Low Temperature Alarm	Press a button to cancel / check
E1	Probe T1 Failure	Call Engineer
E2	Probe T2 Failure	Call Engineer
E3	Probe T3 Failure	Call Engineer
OFF	Cabinet In Standby	Press  for 3 seconds

Press any button on the controller to silence an alarm.

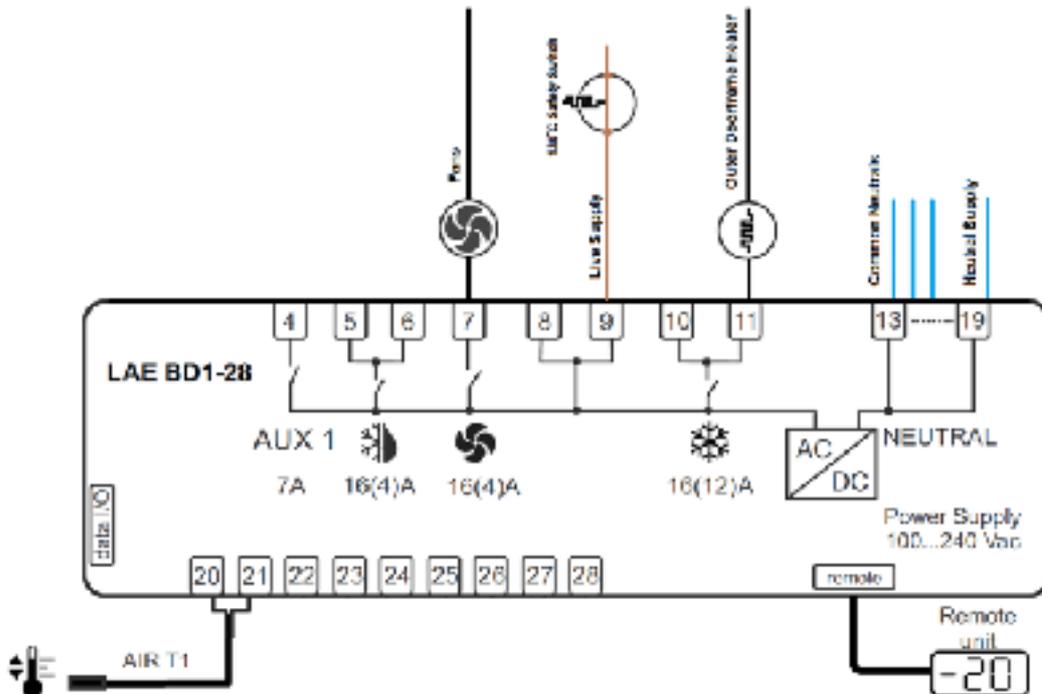
Notes:

LAE BD1-28 Connection Diagram for Professional Refrigerated Storage Cabinets



5.9 REV:1-170114

LAE BD1-28 Connection Diagram For Heated Cabinets



5.9 REV:1-170114

Model:

Serial Number:

GWP Values for Refrigerants:

R1234Ze - ~ 1

R290 - 3

R134a – 1300

R404a – 3943

These units contain fluorinated greenhouse gases covered by the F Gas directive

Declaration of Conformity References:

Low Voltage Directive 2006/95/EC

EC Machinery Directive 2006/42/EC

Electromagnetic Compatibility Directive 2004/108/EC

Pressure Equipment Directive 97/23/EC

RoHS / WEE Directive 2002/95 EC

