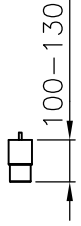
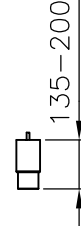
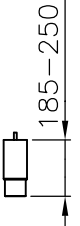
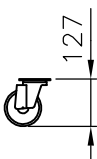
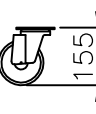
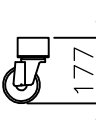
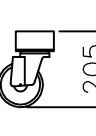



A							
	L1	L2	L3	C1	C2	C3	C4
	Low legs	Medium legs	High legs	Castors	Castors	Castors	Castors

Revision:

Description: Dimensions Gastro 1807

General tolerances: ISO 2768-1 (v)

 © Gram Commercial A/S DENMARK	Date: 18-05-2004	Drawing no.:	Sheet no.:	Rev.	A format
	Name:	765040201	1 of 1	002	4
	Scale 1/20				

All rights to this drawing belongs to Gram Commercial A/S, cf. law of Copyright. Thus the drawing should not without our written permission be copied, presented or passed over to a third person. Misuse will lead to prosecution.