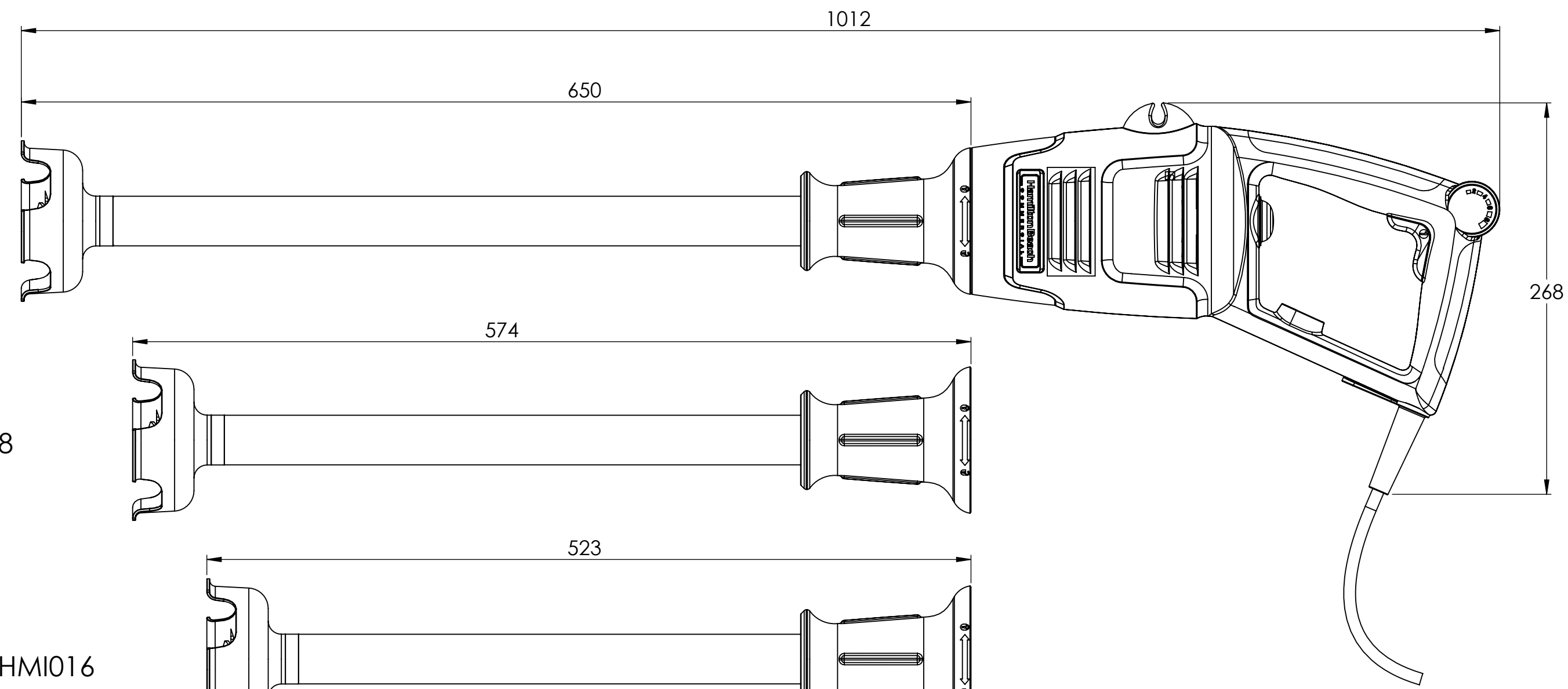
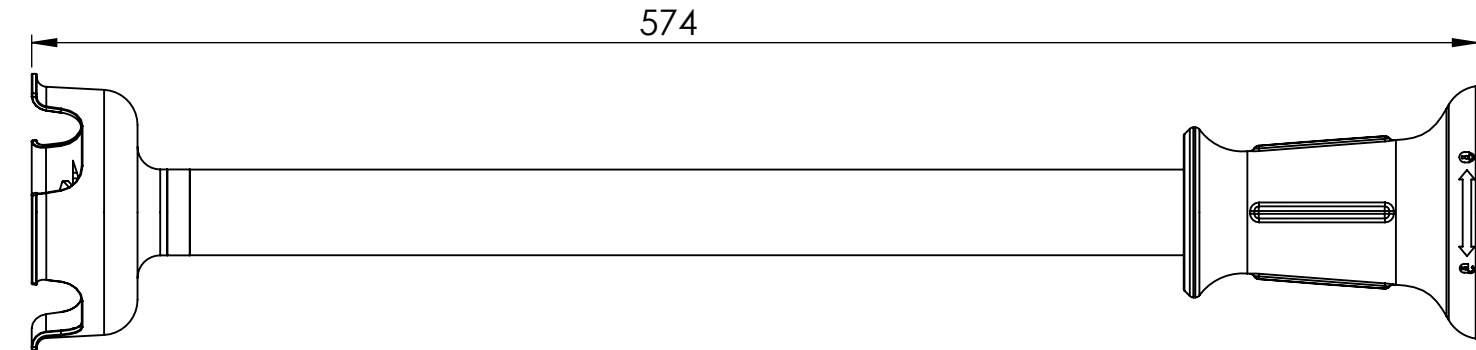


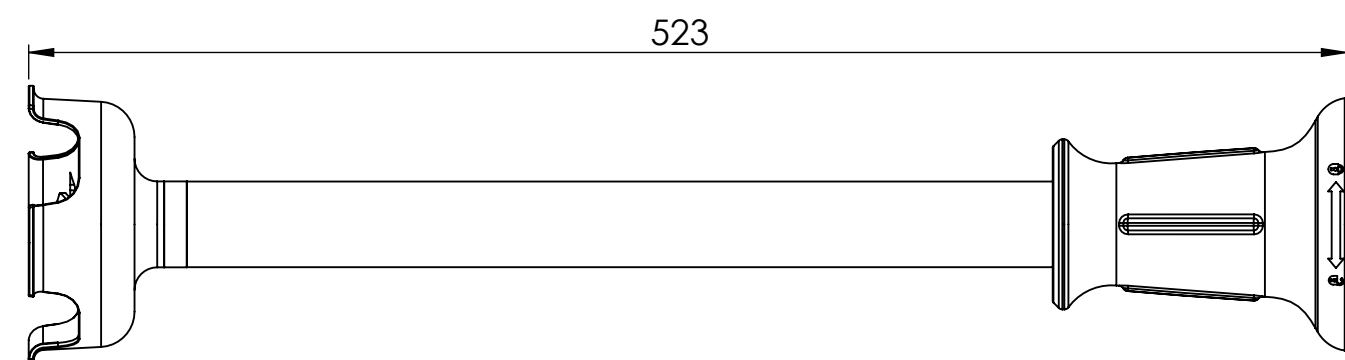
HMI021



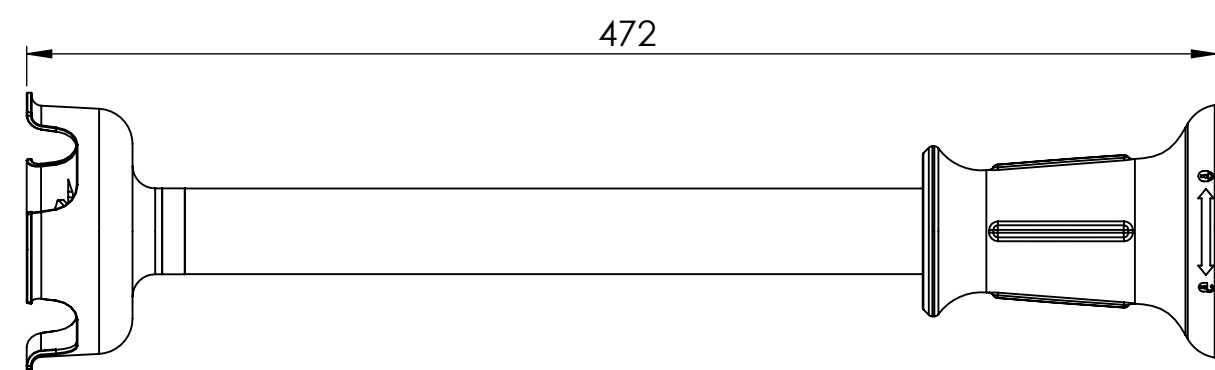
HMI018



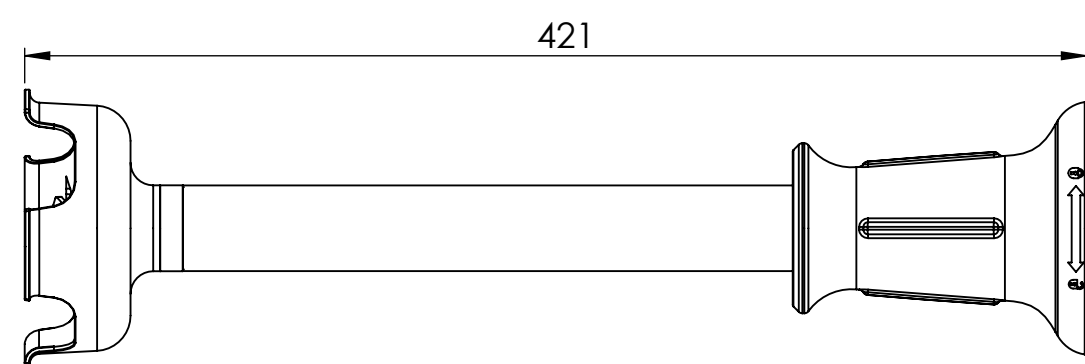
HMI016



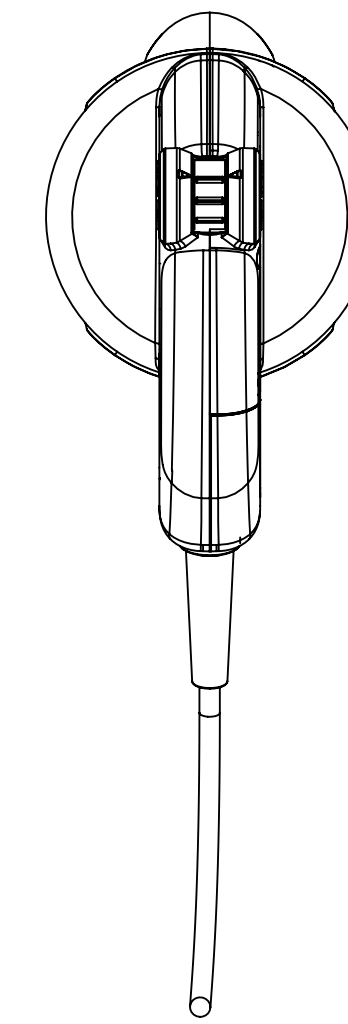
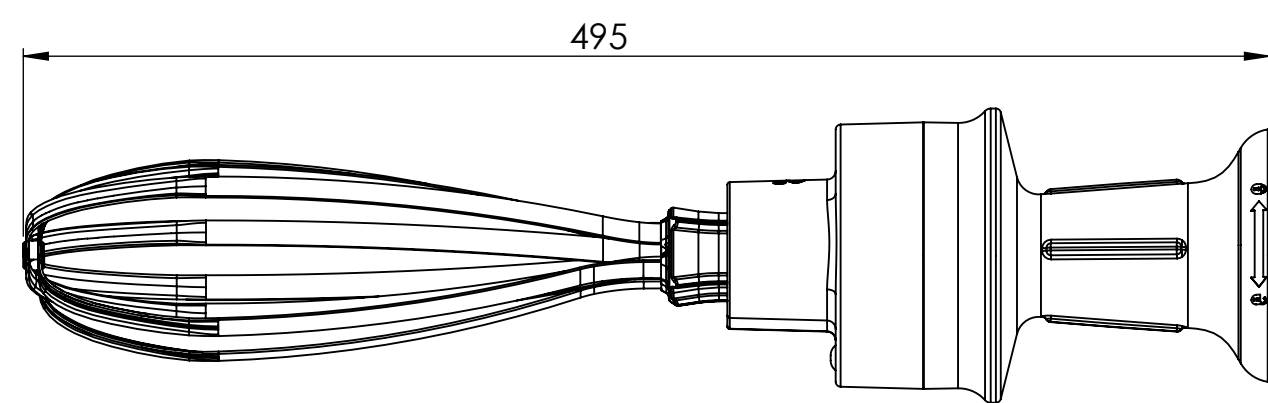
HMI014



HMI012



HMI02W



<p>THIS DOCUMENT (AND ALL INFORMATION CONTAINED WITHIN IT) IS THE PROPERTY OF HAMILTON BEACH BRANDS, INC. (HBB). IT IS CONFIDENTIAL AND PROPRIETARY AND HAS BEEN PROVIDED TO YOU ONLY FOR A LIMITED PURPOSE. IT MUST BE RETURNED OR DESTROYED UPON REQUEST. DISCLOSURE, REPRODUCTION OR USE OF THIS DOCUMENT AND ANY INFORMATION CONTAINED WITHIN IT, IN FULL OR IN PART, FOR AN PURPOSE IS FORBIDDEN WITHOUT THE PRIOR WRITTEN CONSENT OF HBB. NO PHOTOGRAPHS MAY BE TAKEN OF ANY ARTICLE FABRICATED OR ASSEMBLED FROM THIS DOCUMENT WITHOUT THE PRIOR WRITTEN CONSENT OF HBB.</p>							Type description text here		
<p>THIS DRAWING CONFORMS WITH ASME Y14.5M-1994 STANDARDS. UNLESS OTHERWISE SPECIFIED, ALL DIMENSIONS ARE IN MILLIMETERS. UNLESS OTHERWISE SPECIFIED, PROJECTION IS THIRD ANGLE.</p>							<p>REQUEST DESCRIPTION</p> <p><b>Hamilton Beach Brands, Inc.</b> 4421 WATERFRONT DRIVE GLEN ALLEN, VA. 23060</p> <p><b>GH03 Full Line</b></p>		
TOLERANCES (UNLESS OTHERWISE SPECIFIED)	MATERIAL	FINISH	POST PROCESS	APPROVAL	SCALE	DOCUMENT NUMBER	REVISION	SHEET	OF
.X ± .5 .XX ± .15 ANGLES ± 1/2°	Aluminum	None	None	XXX	1:3	XXXXXXX	X	1	X
Notification Code:									