

MODEL: **HyGenikx HGX-T-15-R**



# HYGENIKX+

HyGenikx Air & Surface Steriliser System. Titanium finish. For use in Refuse areas. NOT for use in areas of continuous occupation

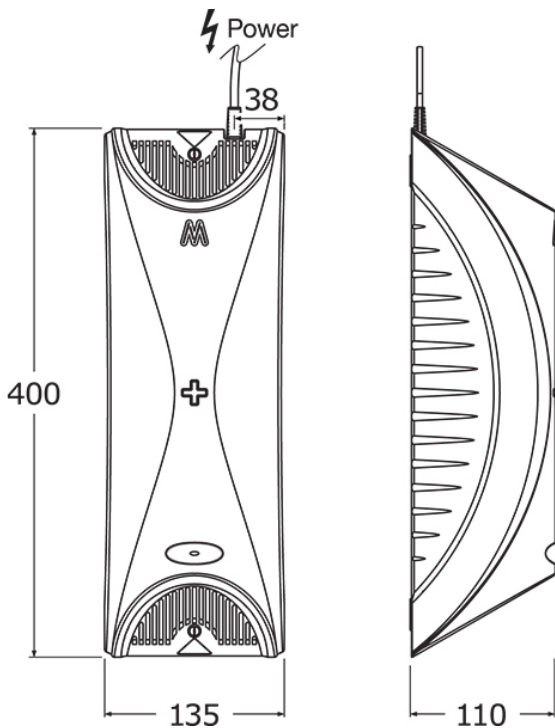
**Area of use:** Refuse  
**Range of cover:** Non-Occupied  
**Colour finish:** Titanium finish

### FEATURES & BENEFITS

- Kills Escherichia coli (E. coli), Staphylococcus aureus (S. aureus), Clostridium difficile (C. difficile), Aspergillus fumigatus, and other primary sources of infections
- Significantly improves hygiene standards to levels impossible to maintain with traditional cleaning methods alone
- Eliminates bacteria, viruses, moulds, fungi and volatile organic compounds (VOCs), both in the air and on exposed surfaces, even in the hardest to reach places
- Safe to use and for the environment
- Eradicates unpleasant odours by tackling them at source
- Proven to deplete harmful Listeria monocytogenes and Listeria innocua from surfaces to undetectable levels
- Improves infection control for staff and customers
- Proven to reduce spoilage by extending the shelf-life of perishable food on average by 58%, and up to 150% for certain produce
- Low power consumption, 9-13W
- Easy to change lamp and backup battery, requires no onsite engineer
- Power via a plug that allows flexible installation and easy connection to existing sockets or to switched spurs

### TECHNICAL INFO

- Combines technologies: Germicidal Oxidation, Germicidal Irradiation, Dual waveband Plasma Quattro
- Services: 220/50/1. Uninterrupted supply - 24 hour operation required. High level
- Dimensions: 400 x 135 x 110mm
- EC declaration of conformity - CE mark
- 1.8m power cable with plug to be connected to suitably isolated socket or fused spur. Plug type supplied is dependent on country/location. 3-pin (type G), or 2-pin (type C) Europlug.
- Produced under the control of our comprehensive BSI ISO 9001:2015 Quality Management
- Low Voltage Directive (LVD) 2014/35/EU
- Electromagnetic Compatibility Directive (EMC) 2014/30/EU
- Manufactured in accordance with European standards
- Class 1 certified for electrical insulation
- System (certificate FS 616985)



Dimensions are in millimeters. If a Cad file is required please visit [www.mechline.com](http://www.mechline.com).

### MAINTENANCE & CLEANING

Cleaning chrome: Do not use abrasive, chlorine or acid-based cleaning products. Avoid contact with concentrated bleach. Clean with soapy water using a cloth or sponge.



MECHLINE DEVELOPMENTS LIMITED

Tel: +44 (0)1908 261511 | Email: [info@mechline.com](mailto:info@mechline.com) | Web: [www.mechline.com](http://www.mechline.com)