



Project _____

Item # _____

Quantity _____

Heated Glass Shelf Modular

Model: HGSM-4060

The durable black ceramic glass on Hatco's Heated Glass Shelf Modular creates uniform heat across the entire top surface. The new design uses a modular system so units can be placed side-by-side.

Standard features

- Unit's durable black ceramic glass surface accommodates one 1/1 GN pan - 530 x 325 mm
- Electronic Thermostat Control with five settings: 55°C, 65°C, 75°C, 85°C and 95°C
- The portable, modular system design allows for great flexibility in the buffet area
- Durable stainless steel housing
- Simple design for easy cleaning and maintenance
- All units come with a 1829 mm cord and plug, located on front of unit (same side as Electronic Temperature Control)



For operation, location and safety information, please refer to the Installation and Operating Manual.



HATCO CORPORATION | P.O. Box 340500 Milwaukee, WI 53234-0500 U.S.A. | (414) 671-6350



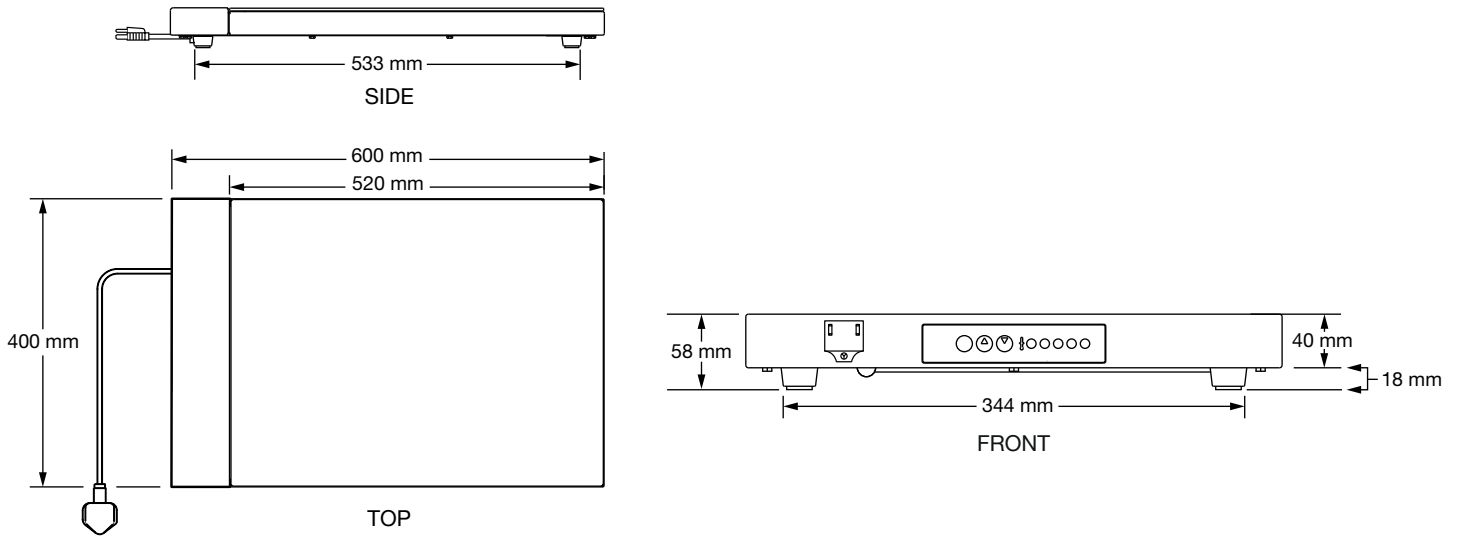
www.hatcocorp.com | support@hatcocorp.com | [Find a Hatco Rep](#) | [Image Library](#) | [Document Library](#) | [Patents](#) | [Chat](#)



Heated Glass Shelf Modular

Model: HGSM-4060

HGSM-4060



SPECIFICATIONS Heated Glass Shelf Modular

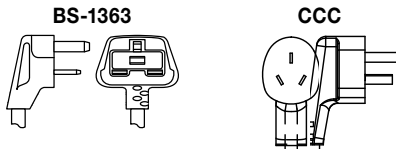
The shaded areas contain electrical information for international models

Model	Dimensions (Width x Depth x Height)	Voltage	Phase	Watts	Amps	Plug	Agency	Approx. Ship Weight
HGSM-4060	400 x 600 x 58 mm	120	Single	300	2.5	BS-1363	-	8 kg
		220		275	1.3	BS-1363	CE	
		230		300	1.3	BS-1363, CCC		
		100		300	3	BS-1363	-	
		220		275	1.3	BS-1363	-	

CORD LOCATION

Standard: Front of unit (same side as Electronic Temperature Control)

PLUG CONFIGURATIONS



PRODUCT SPECS Heated Glass Shelf Modular

The Heated Glass Shelf Modular... as manufactured by the Hatco Corporation, Milwaukee, WI 53234 U.S.A.
The Heated Glass Shelf Modular shall be rated at 300 watts, 120 volts, and be

... millimeters in overall width. It shall consist of food safe material, stainless steel housing, be thermostatically controlled, have five heat settings, and 1829 mm cord and plug.

HATCO CORPORATION | P.O. Box 340500 Milwaukee, WI 53234-0500 U.S.A. | (414) 671-6350



www.hatcocorp.com | support@hatcocorp.com | [Find a Hatco Rep](#) | [Image Library](#) | [Document Library](#) | [Patents](#) | [Chat](#)