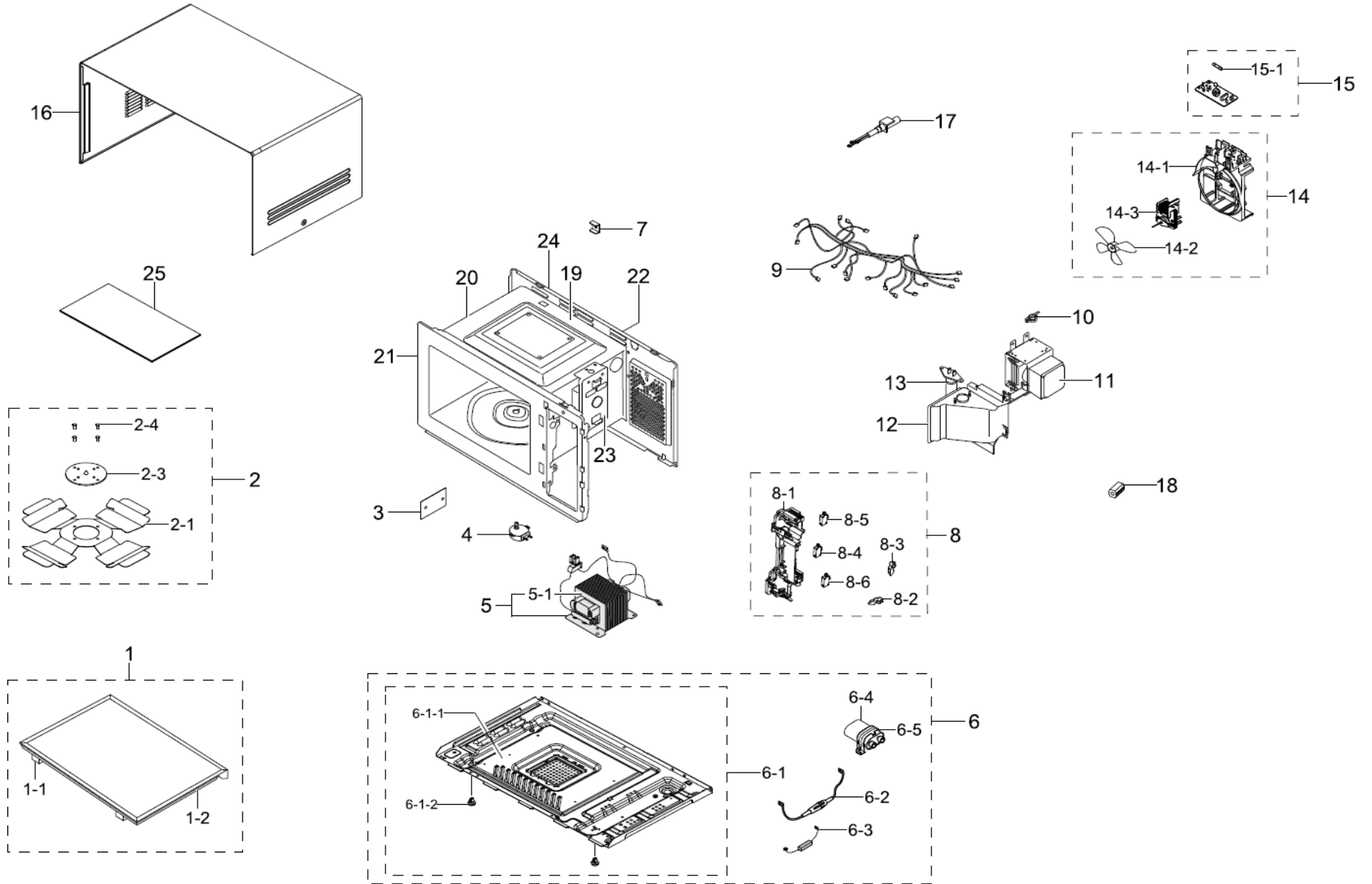







Exploded diagram and spare parts list

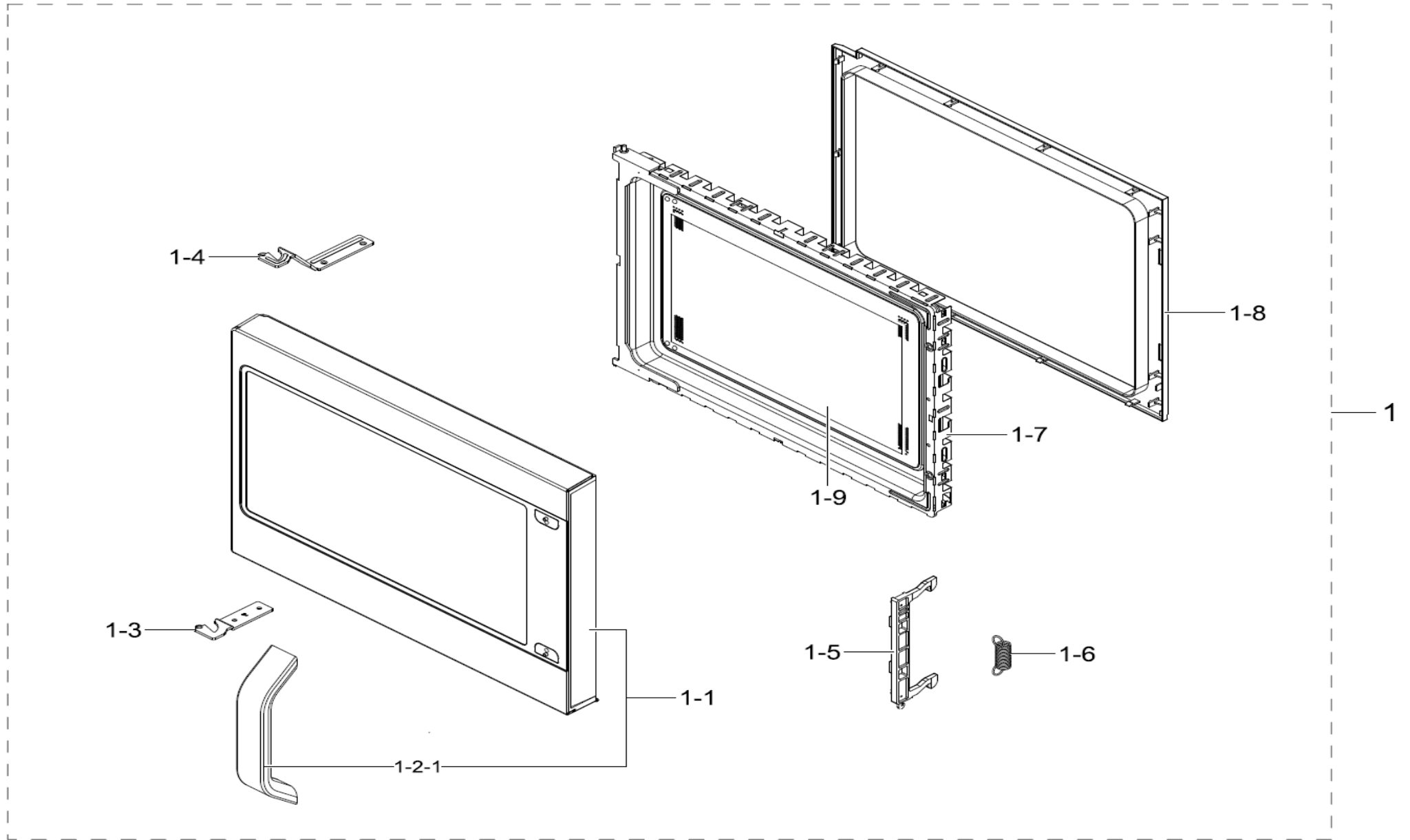


Exploded diagram and spare parts list

Explode	Code	Stocked	Description
1	DE97-00191A	✓	ASSY-TRAY CERAMIC;CM1049,-,T3.2,COMMERC
1-1	DE61-00170A	☎	FOOT-TRAY; CM1049,URETHAN,WHT
1-2	DE74-00021A	☎	TRAY-CERAMIC; CM1049,CERAMIC,T3.0,-,-,-,-
2	DE97-00190A	✓	ASSY STIRRER; CM1049,ALS
2-1	DE31-00009A	☎	BLADE-STIRRER; CM1030M,ALP1050,T0.8
2-3	DE61-00098A	☎	HOLDER-STIRRER; CM1030M,TEFLON,WHT
2-4	DE69-90054A	✓	CLIP-STIRRER; 5mm,TEFLON-PFA,CM1819/29
3	DE71-00163A	✓	COVER-CEILING; CM1049,MICA SHEET,T0.5,W12
4	DE31-10173C	☎	MOTOR AC DRIVE;SM16F,SM16FBY36T4AX,8Pole
5	DE96-00964C	☎	ASSY POWER PACK; CM1079-A/XEU,0.8 CU.FT
5-1	DE26-00051B	✓	TRANS H.V; SHV-E1049B,230V,2360V/3.40V,AL
6	DE96-00240H	☎	ASSY BASE PLATE;CM1099/SA,3RD-1.0,SEPARA
6-1	DE94-04131A	☎	ASSY BASE PLATE;CM1089A/XEU,3RD-1.0,SEPA
6-1-1	DE80-10001G	☎	BASE PLATE; 3RD,GI-SGCC,T0.6,W345,L565
6-1-2	DE61-40066A	☎	FOOT; PP,BLK
6-2	DE91-70061H	✓	ASSY H.V.FUSE;THV060T,5KV,900mA,SCREW,WH
6-3	DE59-00002A	✓	DIODE-H.V;MWO,2CL4512H/CL04-12A,500mA,12
6-4	2501-001285	✓	C-OIL HIGH VOLTAGE; 1130nF,2100V,BK,34x54
6-5	DE61-00419A	☎	BRACKET-HVC; CM1049,EGI-SECC,T0.8
7	DE61-50541A	☎	BRACKET EARTH; EGI-SECC,T1,W15,L8
8	DE94-01862D	✓	ASSY BODY LATCH; NC2K HANDLE
8-1	DE72-00137G	☎	LATCH BODY;AMC6158/JMC9158,PBT,NATURAL
8-2	DE66-00093A	☎	LEVER SWITCH-A;NC2000,PP,HT44,GRAY,HANDL
8-3	DE66-00094A	☎	LEVER SWITCH-B;NC2000,PP,TB53,NTR,HANDLE
8-4	3405-001032	✓	SWITCH-MICRO;125/250VAC,16A,200gf,SPDT,T
8-5	3405-001034	✓	SWITCH-MICRO;125/250VAC,16A,200gf,SPST-N
8-6	3405-001116	☎	SWITCH-MICRO;125/250VAC,1A,200gf,SPST-NO
9	DE96-00743A	☎	ASSY WIRE HARNESS-A; Semi Commercial,230V
10	DE47-20173A	☎	THERMOSTAT;125/250V,15/7.5A,90,60,NORMAL
11	OM75P-31-ESGN	✓	ASSY-MGT; ASSY-MGT
12	DE71-60016E	✓	COVER AIR; CM1049,PP,FH44N,SEMI-COM
13	4713-001524	✓	LAMP-INCANDESCENT;22x53,BK,20,230,CLEAR,
14	DE96-00108C	✓	ASSY MOTOR FAN; CM1059/XEU,230V,50HZ,250
14-1	DE71-00061A	☎	COVER MOTOR; 2 & 2 PROJECT,PP,TB53,2 & 2 PROJ
14-2	DE31-90051A	☎	BLADE-FAN; CE10**,PP,NATURAL,MT44
14-3	DE31-10177C	✓	MOTOR AC FAN;SMF-1049EA,2,230V,50Hz,25W,
15	DE96-00010C	✓	ASSY NOISE FILTER;SN-3WED(12),250V/10A,2
15-1	3601-001019	✓	FUSE-CARTRIDGE;250V,12A,SLOW-BLOW,CERAMI
16	DE64-01740A	☎	PANEL OUTER; CM1059/1069,STS430,T0.6
17	DE96-00180C	✓	CBF-POWER CORD; AT,U.K,GB3F,,,,Black,1000
18	DE73-90027A	☎	CORE-FERRITE; T13.8,NI-ZN,BNF-14(K150),L2
19	DE71-00127A	☎	CAVITY UP;CM1049,STS430,T0.5,COIL,COMMER
20	DE71-00128A	☎	CAVITY MAIN;CM1049,STS430,T0.5,1.0CUFT,C

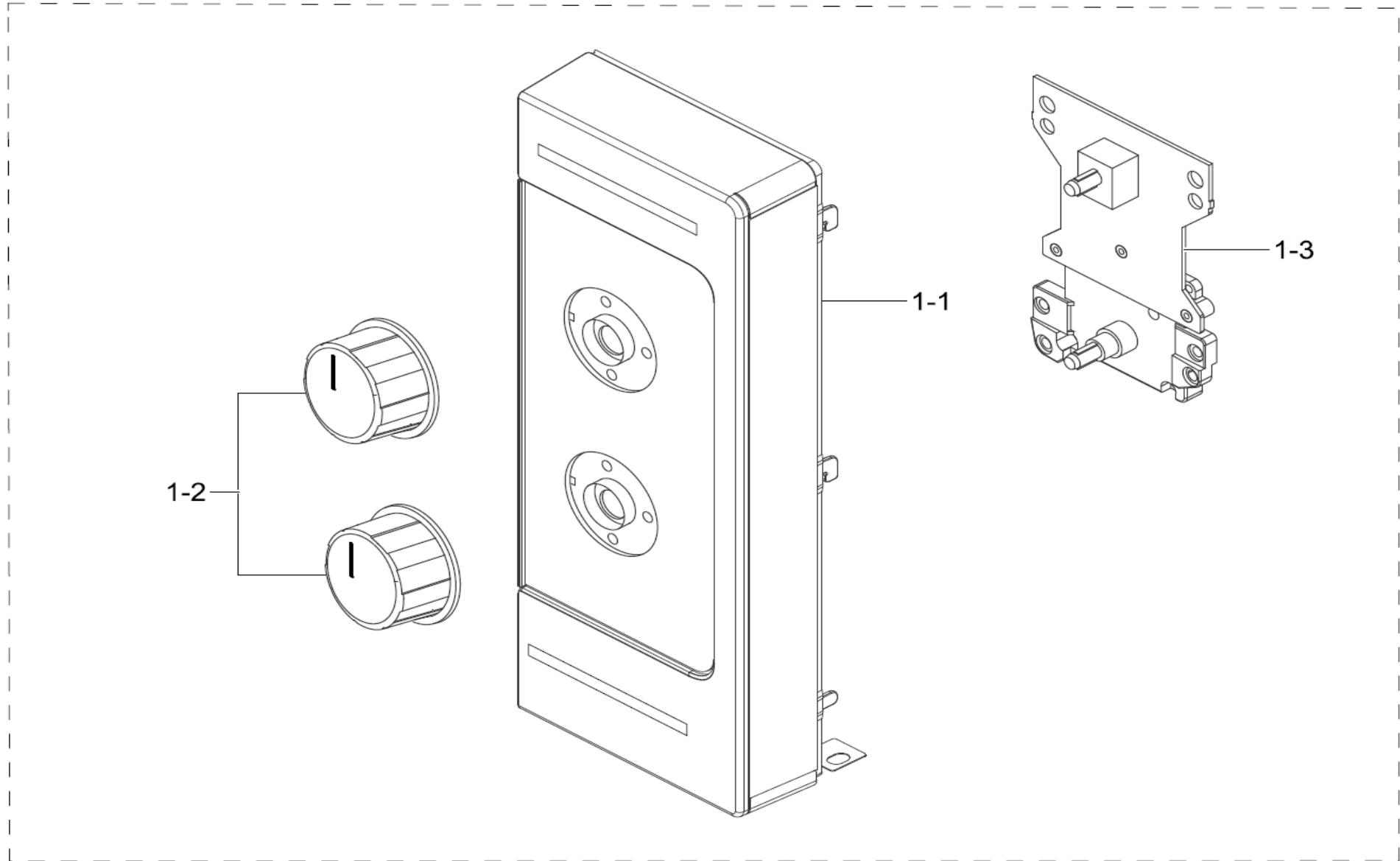
Exploded diagram and spare parts list – GK643 - Buffalo CMWO 1100watt Manual

Explode	Code	Stocked	Description
21	DE71-00129A		CAVITY FRONT;CM1049,STS430,T0.8,1.0CUFT,
22	DE71-00130A		CAVITY BACK;CM1049,STS430,T0.5,COIL,1.0C
23	DE92-90434A		ASSY WAVE GUIDE; M97G45,SECC,-,-
24	DE61-50029J		BRACKET-GEAR MOTOR; SEMI COMM,EGI-SECC,T0
25	DE63-90035G		CUSHION RUBBER; ASPHALT,T2,W190,L100




Exploded diagram and spare parts list – GK643 - Buffalo CMWO 1100watt Manual

Explode	Code	Stocked	Description
1	DE94-03005A	✓	ASSY DOOR; CM1089,STSS,MANDOLIN
1-1	DE94-03002A	☎	ASSY DOOR A; CM1089,STSS,MANDOLIN
1-2-1	DE64-02745A	☎	HANDLE DOOR;COMMERCIAL,AL,MANDOLIN
1-3	DE61-80003A	☎	HINGE-LOWER;ME6144W/XSA,CR-SPCC,T2.3,W26
1-4	DE61-80002A	☎	HINGE-UPPER;WHT,CR-SPCC,T2.3,W26,L77,ZPC
1-5	DE64-00264A	☎	KEY DOOR; 3RD-W NEW,POM,-,-,BLK,-,-
1-6	DE61-00199A	☎	SPRING-KEY; M1977,HSWR-SWRH,D6,251/4,25
1-7	DE92-50127H	✓	ASSY DOOR E; -,-,BLACK,COATING,T0.8
1-8	DE64-40012A	✓	DOOR C; JES1036NL02,PP,T1.5,HB,TB53D,NATU
1-9	DE01-00002B	✓	FILM DOOR; CM1089,PET,T0.15,W290,L169,NTR



Exploded diagram and spare parts list – GK643 - Buffalo CMWO 1100watt Manual

Explode	Code	Stocked	Description
1	DE94-03007A		ASSY CONTROL BOX; CM1099,230V 50HZ,STSS S
1-1	DE94-03006A	✓	ASSY CONTROL PANEL; CM1099,STSS ST-430T0
1-2	DE64-02753A	✓	KNOB-DIAL;COMMERCIAL,PC,HB,BLACK,MANDOLI
1-3	DE96-00738A	✓	ASSY-TIMER CONTROL;MW71E,DAM-TCM1-00,-,W