

WARING COMMERCIAL®

Variable Speed Blenders with
64 oz. Stackable Raptor Container

MX1200XTX

MX1200XTXG

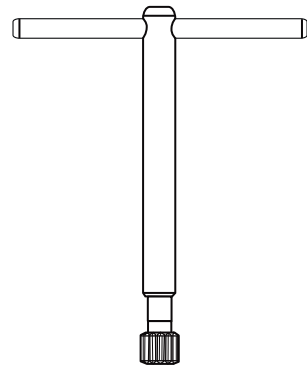
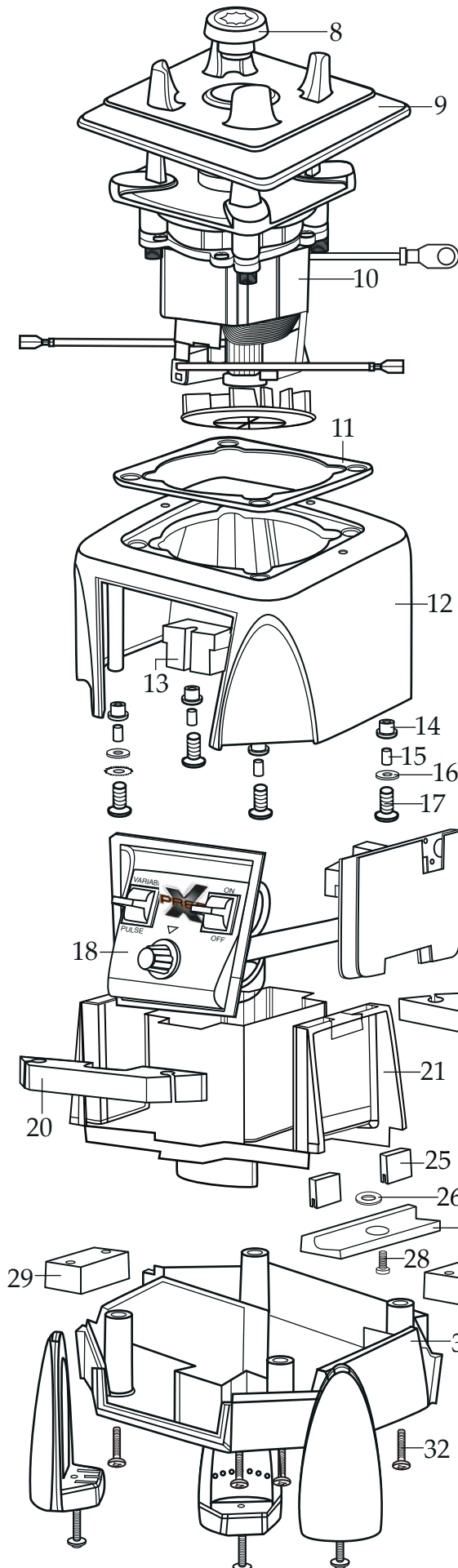
Gourmet comes with WBK-MX1200
(last built 7/12/2011 as of 4/4/2019)

MX1205XTX

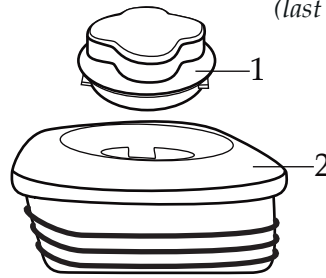
comes with WBK-MX1200
(last built 12/8/2011 as of 4/4/2019)

Unit Information

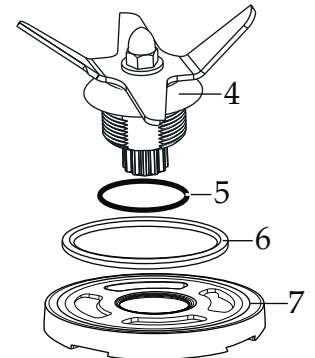
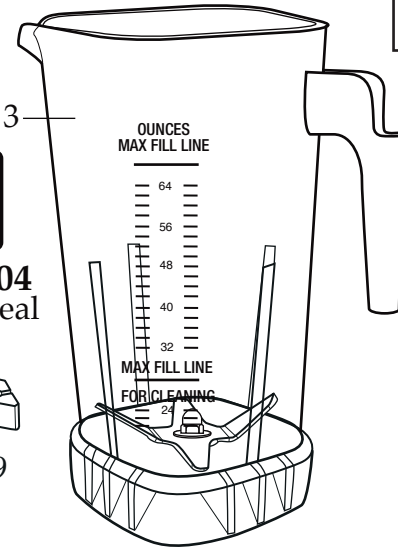
Limited 3 Year Motor Warranty
Two Year Parts & Labor
3 HP Motor – 60Hz – 13 Amps
Height 19" – Weight 15 lbs.
RPM's Variable 1,500-20,000
Pulse 30,000
One Piece Dishwasher Safe
Removable Jar Pad



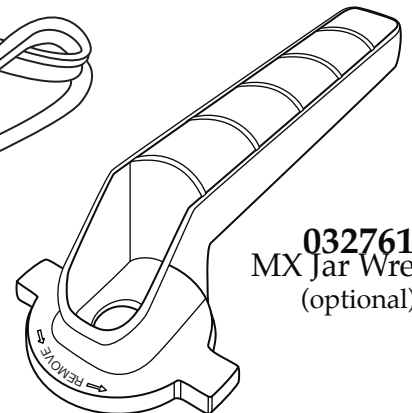
503351
MX Coupling Wrench
(optional)



013304
NSF Seal



030889
Blending Assembly Kit



032761
MX Jar Wrench
(optional)

Catalog	Model
MX1200XTX MX1200XTXG MX1205XTX	MX1200XT41



Illustration#	Part#	Description
1	026425-E	Jar Lid Cover
2	026424-V	Vinyl Jar Lid <i>(changed after 11/30/2012)</i>
3	503326	64 oz. Stackable Raptor Container ONLY
	503398	64 oz. Stackable Raptor Container with Blending Assembly <i>(on units after 2/9/2011)</i>
	503350	64 oz. Stackable Container with Blending Assembly
4	503397	Blade Assembly <i>(changed after 2/9/2011)</i>
5	024271	Bearing Holder O Ring
6	024268	Nut Gasket
7	029631	Bearing Holder Nut
8	028538	Drive Coupling
9	026442	Jar Pad
10	035397	Leili Motor with Sensor <i>(on units after 9/6/2017)</i>
	028101	ECM Motor with Sensor
11	026437	Dampening Plate Gasket
12	028032-09	Black Top Housing
13	028541	Motor Foam (2 required)
14	026439	Dampening Plate Bushing (4 required)
15	026453	Dampening Plate Sleeve (4 required)
16	026459	Washer (2 required)
17	028929	Sems (4 required)
18	036400	Control Panel w/ Interlock <i>(on units after 9/7/2018)</i>
	035013	Microprocessor Control Panel <i>(changed after 3/10/2015 use 036400)</i>
	034122	Control Panel <i>(use 035013 on units after 1/10/2014)</i>
	033467	Control Panel <i>(use 034122 on units after 6/25/2013)</i>
	029811	Control Panel <i>(use 033467 on units after 10/29/2011)</i>
	028268	Control Panel <i>(use 033467)</i>
19	028248	Top Housing Foam Rear Baffle
20	028249	Top Housing Foam Front Baffle
21	036814	Motor Housing 2.78" <i>(on units after 7/15/2019)</i>
	028240-67	Motor Housing <i>(on units after 9/6/2017)</i>
	028240	Motor Housing
22	002943	Washer (3 required)
23	026925	Cord Set
24	007556	Strain Relief
25	034900	PCB Cushions (2 required <i>on units after 7/15/2019</i>)
26	037232	Neoprene Washer <i>(on units after 7/15/2019)</i>
27	037007	PCB Mounting Bracket <i>(on units after 7/15/2019)</i>

Catalog

Model

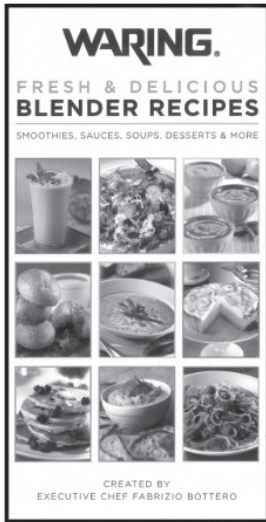
MX1200XTX
 MX1200XTXG
 MX1205XTX

MX1200XT41

Waring Factory Service Center
 314 Ella T. Grasso Ave.
 Torrington, CT 06790
 Tele. 1-800-269-6640

Fax 860-496-9017
 www.waringcommercialproducts.com

Illustration #	Part #	Description
28	013768	Screw (on units after 7/15/2019)
29	028247	Bottom Housing Foam Baffle
30	028542	Foam Baffle
31	028241-09-X	Black Bottom Housing
32	012505	Screw (4 required)
33	026430	Corner Post (4 required)
34	028928	Sems (4 required)



WBK-MX1200
 Recipe Book


033483
 Brush/Spring
 (2 required use with ECM motor)

