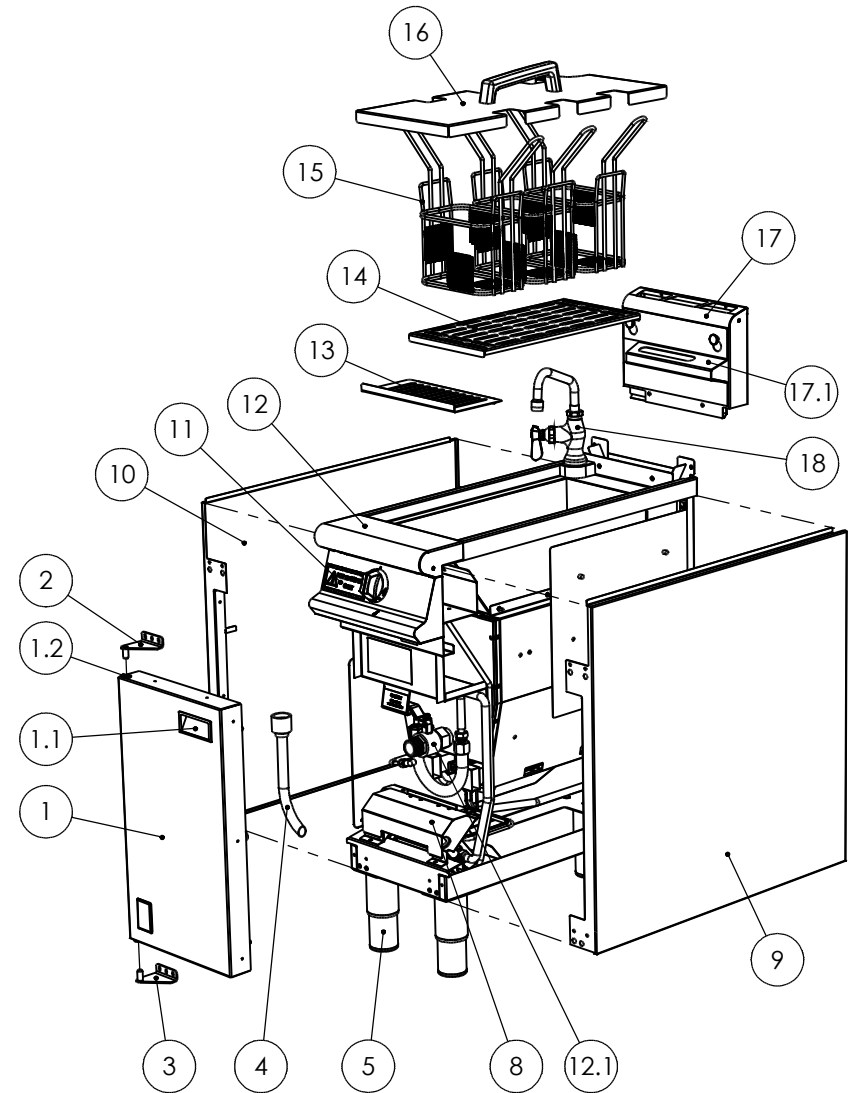


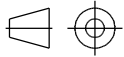
ITEM	DESCRIPTION	SPARES No
1	DOOR ASSEMBLY	535650002
1.1	DOOR HANDLE	736010020
1.2	DOOR HINGE BUSH (x2)	536060036
2	DOOR HINGE - TOP	535200006
3	DOOR HINGE - BOTTOM	535200007
4	DRAIN TUBE ASSEMBLY	535710015
5	ADJUSTABLE FOOT	535290028
6	CASTOR - BRAKED (x2) - NOT SHOWN	536430110
7	CASTOR - FIXED (x2) - NOT SHOWN	536470013
8	GAS VALVE COVER C/W HINGES	535670003
9	OUTER SIDE PANEL - RH	535670004
10	OUTER SIDE PANEL - LH	535670005
11	CONTROL PANEL	535650003
12	HOB/PAN ASSEMBLY C/W INSULATION & DRAIN VALVE	535650004
12.1	DRAIN VALVE ASSEMBLY	535670008
13	DRAINING SHELF	535650005
14	PASTA PLATE	535650006
15	BASKET (x1)	535750007
16	DUST COVER	535650007
17	FLUE ASSEMBLY	535650008
17.1	BULK PASTA BASKET HANGER	535650009
18	WATER TAP / FAUCET	535650010



CLEARED FOR PRODUCTION

ISSUE	MOD No	ALTERATION	DRAWN BY	DATE
A	1312/2	PRODUCTION ISSUE	G.SMITH	05/12/11

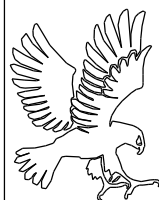
IF IN DOUBT ASK
DO NOT SCALE
FIRST ANGLE PROJECTION



UNLESS OTHERWISE SPECIFIED:
DIMENSIONS ARE IN MILLIMETERS
TOLERANCES:
LINEAR: ±0.5mm
ANGULAR: ±0.5 DEG

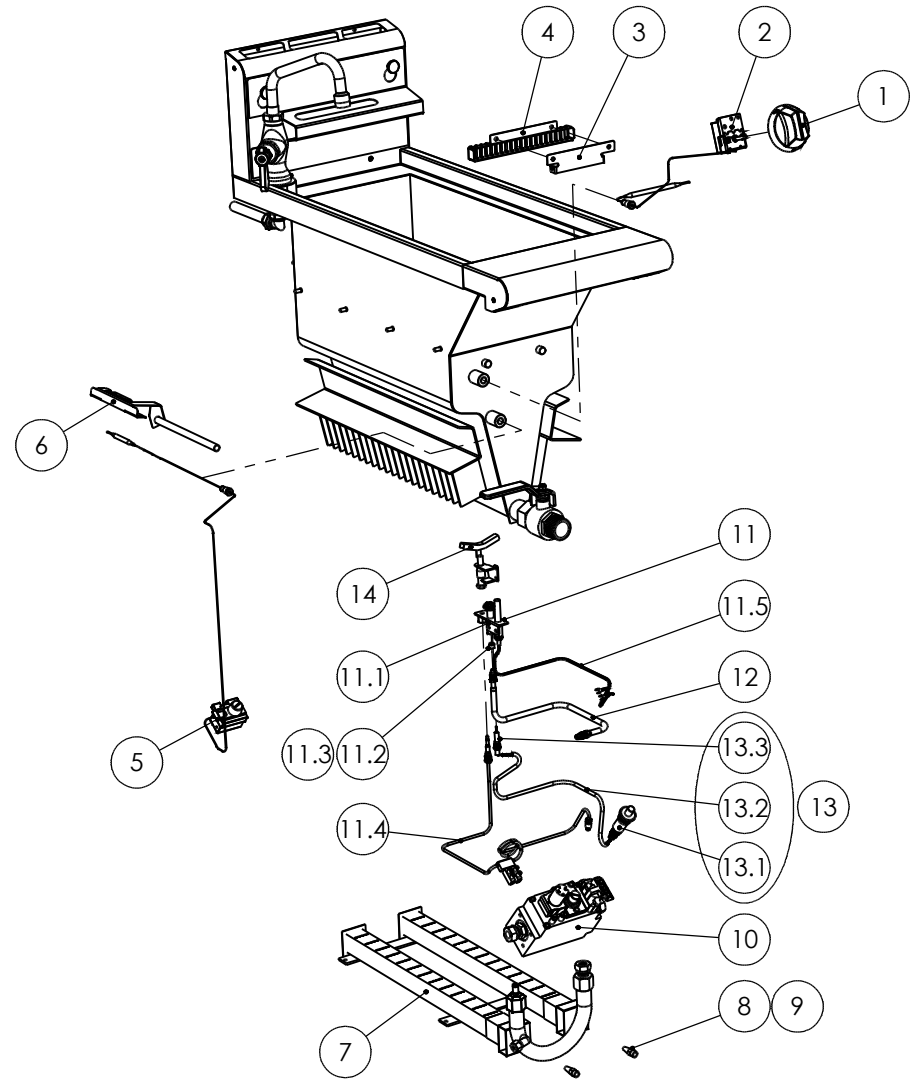
DEBUR AND
BREAK SHARP EDGES

WEIGHT: 179347.80g



DRAWN: G.SMITH	PRODUCT G3203 PASTA BOILER	
DATE: 05/12/11	TITLE SPARES - MAIN BODY	
SCALE:	DRAWING NUMBER	ISSUE
MATL:	AD49158	A
THICKNESS:	FINISH:	PART No:
BIN No:		

ITEM	DESCRIPTION	SPARES No
1	CONTROL KNOB	535650011
2	OPERATING THERMOSTAT	535650012
3	OPERATING STAT PHIAL MOUNT BRACKET	535650013
4	OPERATING STAT PHIAL COVER	535650014
5	SAFETY THERMOSTAT	535670017
6	SAFETY STAT PHIAL MOUNT BRACKET	535650015
7	BURNER ASSEMBLY (NO INJECTORS)	535670019
8	BURNER INJECTORS (x2) - NAT GAS	535670020
9	BURNER INJECTORS (x2) - PROPANE	535670021
10	GAS CONTROL VALVE C/W FITTINGS - NAT & PROPANE	535670022
11	PILOT ASSEMBLY - NAT & PROPANE	535670023
11.1	3 FLAME PILOT	530760007
11.2	PILOT INJECTOR - NAT GAS	537350013
11.3	PILOT INJECTOR - PROPANE	537350014
11.4	THERMOCOUPLE	535670024
11.5	THERMOPILE	537350005
12	PILOT PIPE C/W FITTINGS	535670025
13	SPARK IGNITOR ASSEMBLY	535670026
13.1	SPARK IGNITOR	537350029
13.2	SPARK IGNITOR CABLE	535710115
13.3	SPARK ELECTRODE	537350007
14	CROSS LIGHTER ASSEMBLY - NAT & PROPANE	535670027
14.1	CROSS LIGHTER INJECTOR - NAT GAS	535710091
14.2	CROSS LIGHTER INJECTOR - PROPANE	531300070



CLEARED FOR PRODUCTION

ISSUE	MOD No	ALTERATION	DRAWN BY	DATE
A	1312/2	PRODUCTION ISSUE	G.SMITH	05/12/11

IF IN DOUBT ASK
DO NOT SCALE
FIRST ANGLE PROJECTION

UNLESS OTHERWISE SPECIFIED:
DIMENSIONS ARE IN MILLIMETERS
TOLERANCES:
LINEAR: ±0.5mm
ANGULAR: ±0.5 DEG

DEBUR AND
BREAK SHARP EDGES

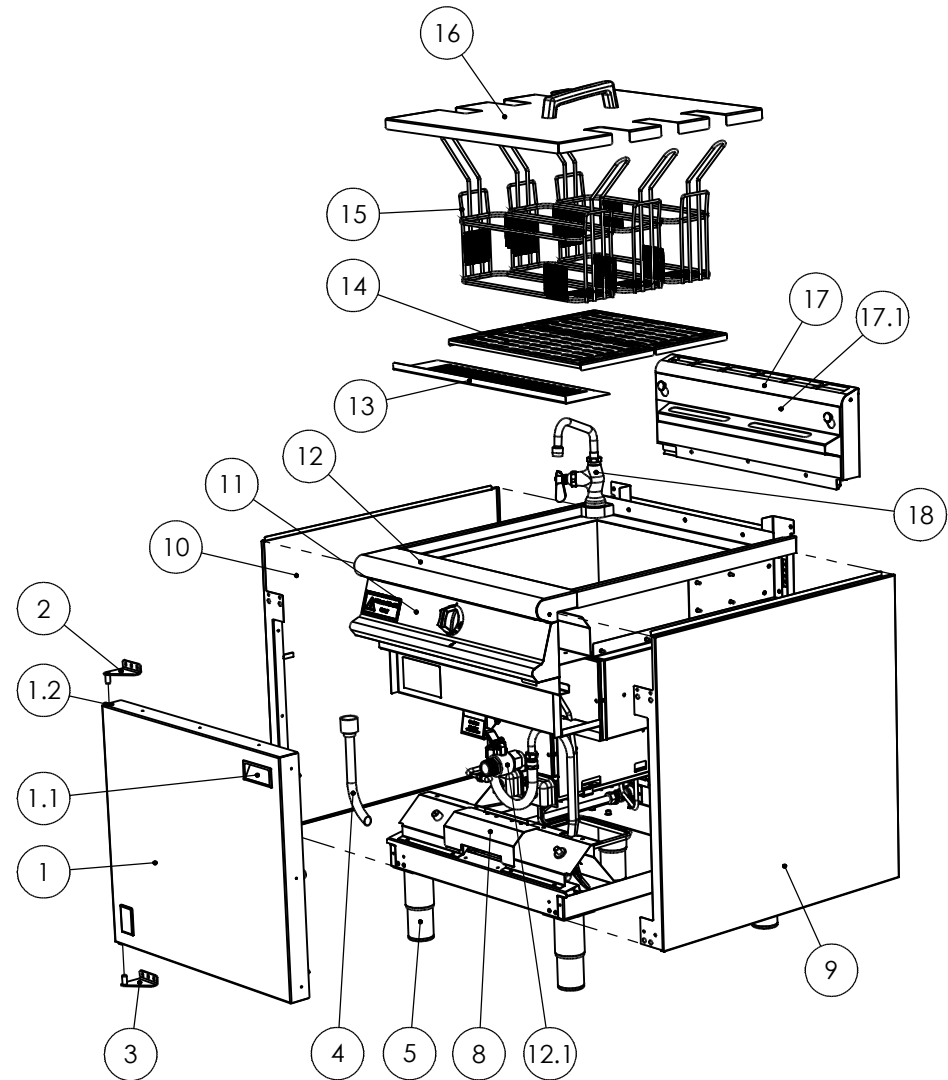
WEIGHT: 179347.80g



DRAWN: G.SMITH	PRODUCT	G3203 PASTA BOILER	
DATE: 05/12/11	TITLE	SPARES - CONTROLS	
SCALE:	DRAWING NUMBER	AD49159	ISSUE
MATL:	FINISH:		A
THICKNESS:	PART No:		
BIN No:			

NO REPRODUCTION OR PUBLICATION OF THIS DRAWING MAY BE MADE AND NO ARTICLE MAY BE MANUFACTURED OR ASSEMBLED IN ACCORDANCE WITH THIS DRAWING WITHOUT PRIOR WRITTEN CONSENT. THIS PROHIBITION IS A TERM OF ANY CONTRACT RELATING TO THIS DRAWING. RIGHTS RESERVED UNDER THE COPYRIGHT ACT 1956 AS AMENDED BY THE DESIGN COPYRIGHT ACT 1968

ITEM	DESCRIPTION	SPARES No
1	DOOR ASSEMBLY	535660002
1.1	DOOR HANDLE	736010020
1.2	DOOR HINGE BUSH (x2)	536060036
2	DOOR HINGE - TOP	535200006
3	DOOR HINGE - BOTTOM	535200007
4	DRAIN TUBE ASSEMBLY	535710015
5	ADJUSTABLE FOOT	535290028
6	CASTOR - BRAKED (x2) - NOT SHOWN	536430110
7	CASTOR - FIXED (x2) - NOT SHOWN	536470013
8	GAS VALVE COVER C/W HINGES	535670003
9	OUTER SIDE PANEL - RH	535670004
10	OUTER SIDE PANEL - LH	535670005
11	CONTROL PANEL	535660003
12	HOB/PAN ASSEMBLY C/W INSULATION & DRAIN VALVE	535660004
12.1	DRAIN VALVE ASSEMBLY	535670008
13	DRAINING SHELF	535660005
14	PASTA PLATE (x1)	535650006
15	BASKET (x1)	535750055
16	DUST COVER	535660006
17	FLUE ASSEMBLY	535660007
17.1	BULK PASTA BASKET HANGER	535660008
18	WATER TAP / FAUCET	535650010

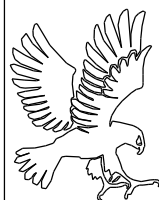


CLEARED FOR PRODUCTION

ISSUE	MOD No	ALTERATION	DRAWN BY	DATE
A	1313/2	PRODUCTION ISSUE	G.SMITH	05/12/11

IF IN DOUBT ASK
DO NOT SCALE
FIRST ANGLE PROJECTION

UNLESS OTHERWISE SPECIFIED:
DIMENSIONS ARE IN MILLIMETERS
TOLERANCES:
LINEAR: ±0.5mm
ANGULAR: ±0.5 DEG



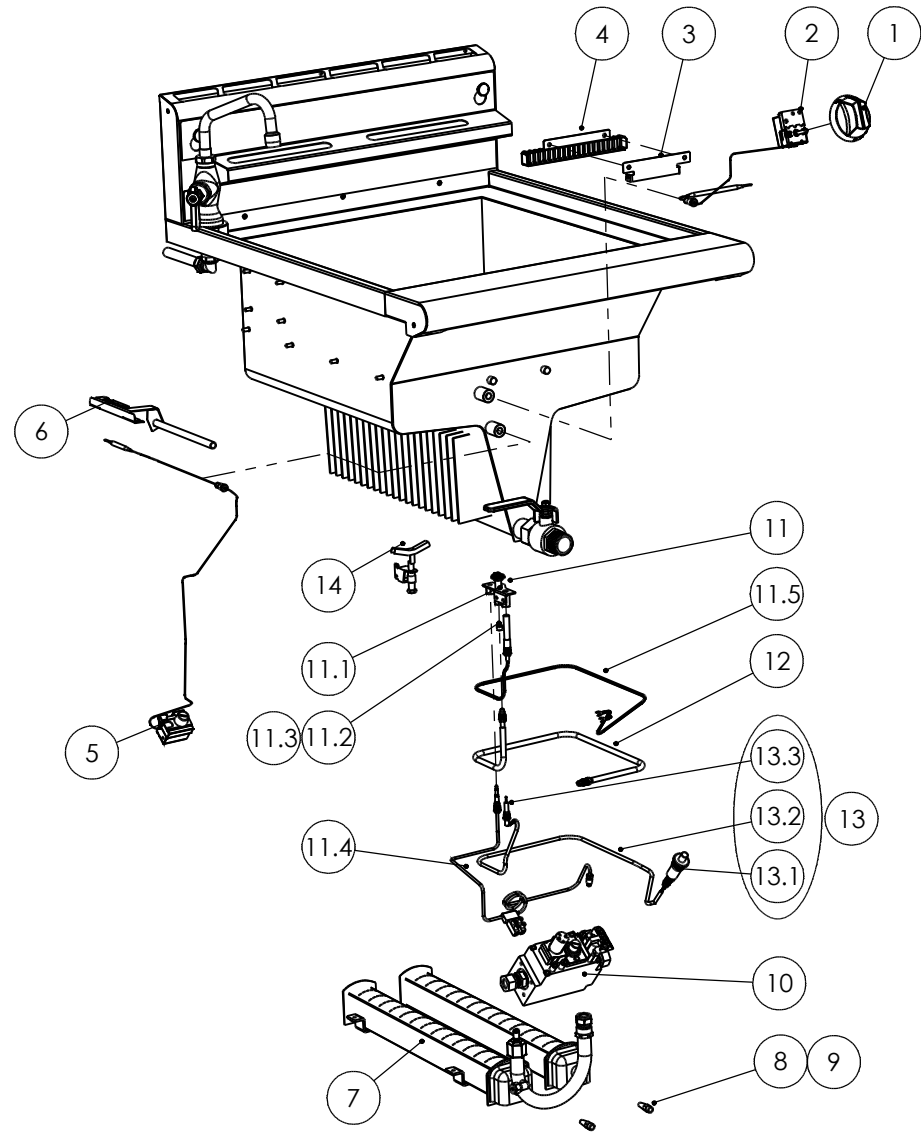
DEBUR AND
BREAK SHARP EDGES

WEIGHT: 120906.45g

DRAWN: G.SMITH	PRODUCT	G3206 PASTA BOILER	
DATE: 05/12/11	TITLE	SPARES - MAIN BODY	
SCALE:	DRAWING NUMBER	AD49160	ISSUE
MATL:	FINISH:		A
THICKNESS:	PART No:		
BIN No:			

© NO REPRODUCTION OR PUBLICATION OF THIS DRAWING MAY BE MADE AND NO ARTICLE MAY BE MANUFACTURED OR ASSEMBLED IN ACCORDANCE WITH THIS DRAWING WITHOUT PRIOR WRITTEN CONSENT. THIS PROHIBITION IS A TERM OF ANY CONTRACT RELATING TO THIS DRAWING. RIGHTS RESERVED UNDER THE COPYRIGHT ACT 1956 AS AMENDED BY THE DESIGN COPYRIGHT ACT 1968

ITEM	DESCRIPTION	SPARES No
1	CONTROL KNOB	535650011
2	OPERATING THERMOSTAT	535650012
3	OPERATING STAT PHIAL MOUNT BRACKET	535650013
4	OPERATING STAT PHIAL COVER	535650014
5	SAFETY THERMOSTAT	535670017
6	SAFETY STAT PHIAL MOUNT BRACKET	535650015
7	BURNER ASSEMBLY (NO INJECTORS)	535680009
8	BURNER INJECTORS (x2) - NAT GAS	535680010
9	BURNER INJECTORS (x2) - PROPANE	535680011
10	GAS CONTROL VALVE C/W FITTINGS - NAT & PROPANE	535680013
11	PILOT ASSEMBLY - NAT & PROPANE	535670023
11.1	3 FLAME PILOT	530760007
11.2	PILOT INJECTOR - NAT GAS	537350013
11.3	PILOT INJECTOR - PROPANE	537350014
11.4	THERMOCOUPLE	535670024
11.5	THERMOPILE	537350005
12	PILOT PIPE C/W FITTINGS	535680012
13	SPARK IGNITOR ASSEMBLY	535670026
13.1	SPARK IGNITOR	537350029
13.2	SPARK IGNITOR CABLE	535710115
13.3	SPARK ELECTRODE	537350007
14	CROSS LIGHTER ASSEMBLY - NAT & PROPANE	535670027
14.1	CROSS LIGHTER INJECTOR - NAT GAS	535710091
14.2	CROSS LIGHTER INJECTOR - PROPANE	531300070



CLEARED FOR PRODUCTION

ISSUE	MOD No	ALTERATION	DRAWN BY	DATE
A	1313/2	PRODUCTION ISSUE	G.SMITH	05/12/11

IF IN DOUBT ASK
DO NOT SCALE
FIRST ANGLE PROJECTION

UNLESS OTHERWISE SPECIFIED:
DIMENSIONS ARE IN MILLIMETERS
TOLERANCES:
LINEAR: ±0.5mm
ANGULAR: ±0.5 DEG

DEBUR AND
BREAK SHARP EDGES

WEIGHT: 120906.45g



DRAWN: G.SMITH	PRODUCT	G3206 PASTA BOILER	
DATE: 05/12/11	TITLE	SPARES - CONTROLS	
SCALE:	DRAWING NUMBER	AD49161	ISSUE
MATL:	FINISH:		A
THICKNESS:	PART No:		
BIN No:			

© NO REPRODUCTION OR PUBLICATION OF THIS DRAWING MAY BE MADE AND NO ARTICLE MAY BE MANUFACTURED OR ASSEMBLED IN ACCORDANCE WITH THIS DRAWING WITHOUT PRIOR WRITTEN CONSENT. THIS PROHIBITION IS A TERM OF ANY CONTRACT RELATING TO THIS DRAWING. RIGHTS RESERVED UNDER THE COPYRIGHT ACT 1956 AS AMENDED BY THE DESIGN COPYRIGHT ACT 1968