

FS-HB2/3/4/5

HOT CUPBOARD WITH DRY WELL BAIN MARIE AND QUARTZ HEATED GANTRY

Flexi-Serve mobile plain top hot cupboard with dry bain marie top. Available in 4 size options to accommodate between 2 and 5 1/1 GN pans at 150mm deep.

Designed to run on one plug to minimise power consumption, whilst keeping food at the optimal serving temperature.

Use as a single servery or combine with other Flexi-Serve modules to create your perfect counter layout.



| Model Specification | FS-HB2 | FS-HB3 | FS-HB4 | FS-HB5 |
|-------------------------------------|--------------|---------------|---------------|---------------|
| Dimensions (w x d x h) mm | 860x700x900 | 1160x700x900 | 1495x700x900 | 1830x700x900 |
| Temperature Range (°C) | 30-90 | 30-90 | 30-90 | 30-90 |
| Total Power KW) | 2.2 | 2.9 | 2.9 | 2.85 |
| Plug Type | 13 Amp | 13 Amp | 13 Amp | 13 Amp |
| Weight Packed (kg) | 96 | 136 | 150.5 | 191.5 |
| Weight Unpacked (kg) | 86 | 108 | 128.5 | 169.5 |
| Dimensions incl. Gantry & Trayslide | 860x983x1440 | 1160x983x1440 | 1495x983x1440 | 1830x983x1440 |

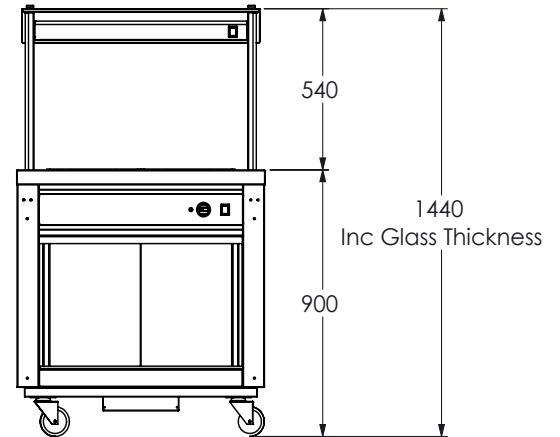
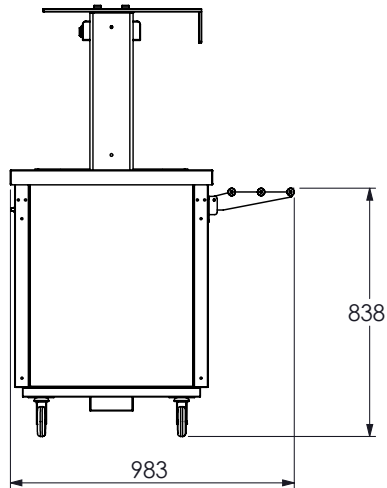
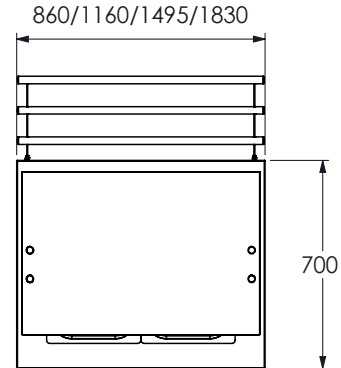
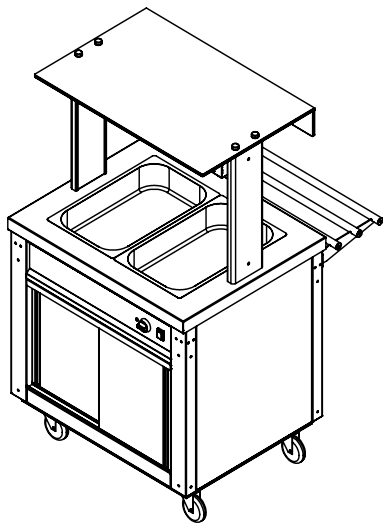
FEATURES

- GN compatible dry-well Bain Marie accommodates 150mm deep pans, bridging bars supplied
- Fan assisted hot cupboard with wire shelves holds food at ideal temperature for service
- Removable hot cupboard shelves and supports makes cleaning easier, shelves fit in a dishwasher
- Removable and interchangeable fascia panels
- Adjustable hot cupboard shelf positions offer increased flexibility and capacity when required
- Narrow 700mm width fits easily through doorways
- 4 locking castors makes it easy to move for cleaning or storage
- Tubular tray slide supplied as standard

HOT CUPBOARD WITH DRY WELL BAIN MARIE AND QUARTZ HEATED GANTRY

FS-HB2 LINE DRAWING

Dimensions in mm



757 With tray slide in the down position

AVAILABLE ACCESSORIES

- Island glass or Assisted glass at an additional cost