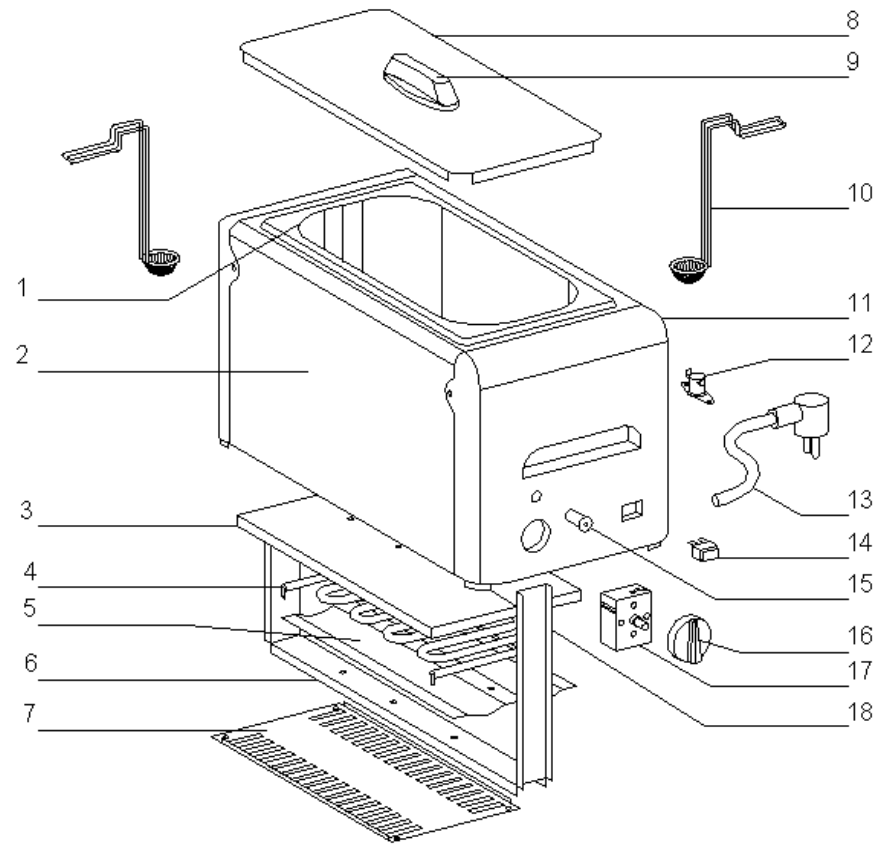


**INSTRUCTIONS FOR USE AND INSTALLATION
EGG BOILER
CO 60**



Made in France



EGGS BOILER CO 60

Nomenclature CO 60 Spare parts CO 60

Rep	Code	Qty	Pièce	Spare part
1	F05001	1	Bac	Container
2	O7131	1	Ceinture	Casing
3	O7129	1	Plaque alu	Alu plate
4	D02159	1	Résistance	Heating element
5	O7128	1	Serre résistance	Element plate
6	O7143	1	Blocage bac	Container holder
7	O7130	1	Fond	Bottom casing
8	O7134	1	Couvercle	Lid
9	A15015	1	Poignée couvercle	Lid handle
10	F04013	6	Panier	Basket
11	H04221SER	1	Coque plastique D et G	Left /right plastic side
12	A06034	1	Thermostat sécurité	Safety thermostat
13	C03006	1	Cordon avec prise	Cord with plug
14	A07014	1	Bouton interrupteur	Switch knob
15	A08003	1	Voyant orange	Orange pilot light
16	A14084	1	Bouton	Knob
17	A06044	1	Thermostat	Thermostat
18	A12020	4	Pied	Foot

Congratulations for the acquisition of this upmarket appliance made in France. You chose an appliance which alloys the best technical qualities with a big user-friendliness. We wish you the biggest contentment

1. SECURITY INSTRUCTIONS

Please respect these instructions scrupulously to avoid any risk of fire, electric shock, scald or other wounds and damage. During the use of this appliance, fundamental circumspection of security must always be noticed, such as:

- Take into account the instructions to be systematically kept with the appliance.
- Install the appliance always in instructions respect. A 10 cm distance minimum with the partition or the wall is necessary.
- Protect the appliance from direct light of the sun, frost and humidity.
- Never leave the appliance within the reach of children or disabled persons without surveillance.
- Never move the appliance when it is working
- Check that the appliance is definitely off before connecting it up or disconnecting it.
- Do not touch the hot surfaces of the appliance. The temperature of the hot surfaces can be very important when the appliance is working. Always use control knobs.
- Do not use the appliance for other functions than determined use.
- Do not leave the electrical cord in contact of hot surfaces.
- The appliance should not be used close to combustible materials.
- To avoid any electric shock, never plunge the appliance, the cord or plug in water or quite other liquid.
- If the cord is harmed, it must be replaced by the producer, his after sale service or persons of similar skills to avoid any risk.
- Entrust repairs only to a skilled person.
- Use only spare parts of origin.
- Never connect your egg boiler before having filled the container with water
- Always check water level and add some if necessary.
- Pay attention not to obstruct hearings of aeration of the appliance

2. CONTENTS OF CARDBOARD PACKAGING

Device: an egg boiler

- Accessories:
- 6 numbered baskets
 - a lid
 - The present note

See exploded view for CO 60 at the end of the document

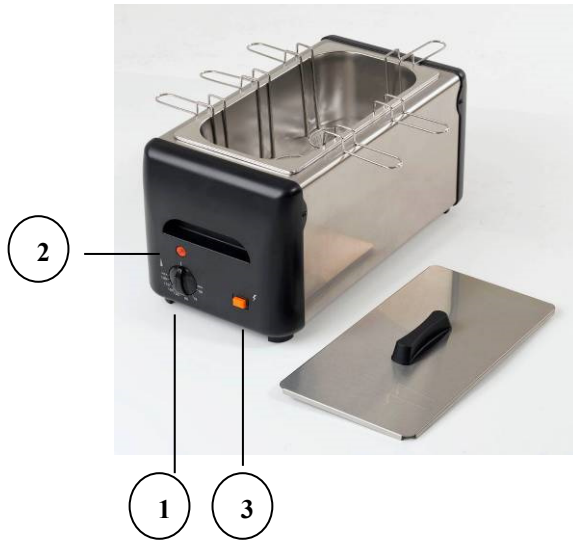
3. CONFORMITY OF USE

Use this egg boiler only to cook eggs

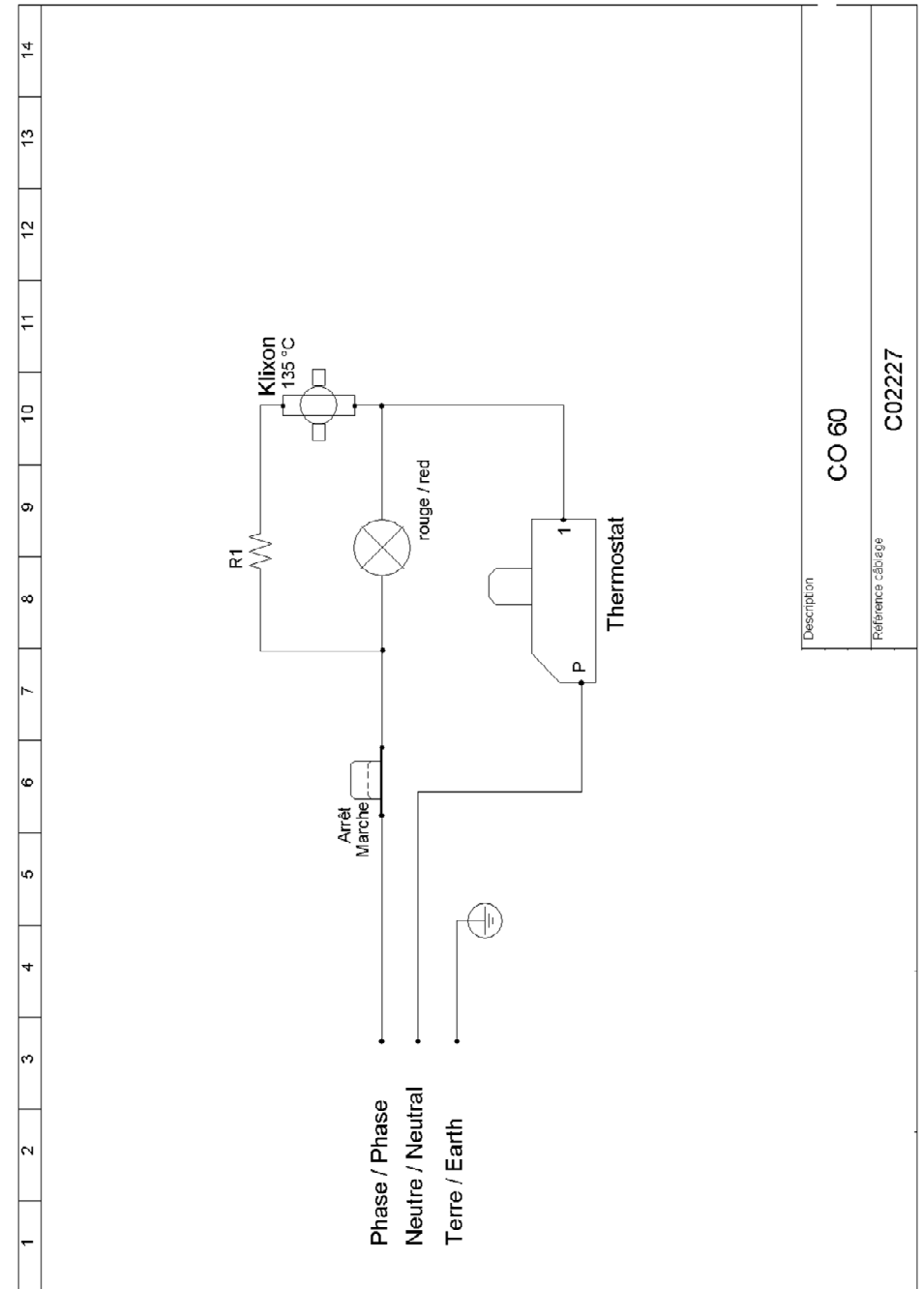
4. WAY OF FUNCTIONING

This egg boiler is essential for your breakfast buffets, it allows your customers to boil their own eggs for breakfast according to their cooking preference. It works like a bain-marie, the heating element underneath the water container, the aluminium plate transfer the heat on the whole bottom of container and the temperature limitation enables a safe cooking. Easy tidying thanks to the lid

To turn on the plates, press the switch (n°3 on picture), turn the thermostat knob (n°1 on picture) on the wished position. When orange pilot light (n°2 on picture) switches off, the device is ready for the cooking.



- 1 Thermostat control knob
- 2 Thermostatic pilot light
- 3 Switch



Description

C0 60

Reference catalogue

C02227

10. GUARANTEE

Conditions of guarantee

The guarantee applicable to any device is the commercial guarantee of the distributor or the retailer. Please contact the store where you bought your device to know the precise conditions.

The guarantee grants no right for damages.

The dispositions which follow are not exclusive of the profit of the legal guarantee planned by articles 1641 and following ones of the Civil code relative to the defects and the latent defects.

Exclusion clauses of the guarantee

Bad installation and bad maintenance, in particular if they do not respect current regulations or instructions appearing in this user guide.

Cannot benefit from the guarantee the repairs required as a result of false operations, of inappropriate use, of carelessness or of excess loads of the device, as well as those resulting from variations of the power supply, over tension or from defective installations.

The damage due to shocks, bad weather is not flatware by the guarantee. The material travels at the risks of the user; in case of delivery by carrier, the consignee has to have reservations towards the carrier before any delivery of the device.

The guarantee comes to an end in case of intervention, of repair, of modification by no qualified persons, or of use in inappropriate purposes.

5. FUNCTIONING / MANIPULATION

a) Installation / assembly:

- Unpack carefully the device of its packaging.
- Place the eggs boiler on a plane and heatproof surface.
- Never place the device near a wall or near a partition makes of combustible materials even if it is very well isolated.
- A distance of minimum 10 cm with the partition or the wall is necessary.
- Place the device to enable an easy access to the plug

b) First starting:

Before 1st use, wash the container and the egg baskets with warm water and wash liquid.

Always filled in the container before connecting the machine to cover the baskets.

Piece of advice

Check the level of water regularly

Never use the machine without water, it can destroy the heating element and cause an irreversible deformation of the container

During a prolonged non-use (several days), we strongly recommend you to empty the container to avoid evaporation of water and scale deposit.

Connection of the device

- Check that the tension and the frequency of the electricity network suit to the values indicated on the descriptive plate.
- Check that neither the cord nor the plug are damaged
- Make sure that every control knob is positioned on 0.
- Unwind completely the electric power cable and connect it in a plug connected with the earth.
- The device is connected.

NB: in case of connection of the device in a plug without earth protection or directly on the electricity network, confide its connection to a qualified person .

c) Use of device :

Elements of command and display

Command/Display	Functions
Switch (n°3 on picture)	On/off
Thermostat (n°1 on picture)	Temperature setting
Pilot light (n°2 on picture)	Water is warming (pilot light on) Water is hot (pilot light off)

Putting on

Press the switch (n°3 on picture)

Turn on the thermostat (n°1 on picture) on wished position. The pilot light (n°2 on picture) is on until the machine reached the temperature.

Once it is reached, (n°2 on picture).

Each customer can put a basket in water and wait from 3 to 6 minutes according their cooking preference.

Temperature setting

Set the temperature by positioning the thermostat (No.1 on picture) to the desired temperature.

Attention: if the temperature is too high, the water is going to evaporate quickly.

Stopping the appliance

Set each control knob (No.1 on picture) on 0, the pilot light (n°2 on picture) switch off: the appliance is no longer functioning.

Let the device cool

Disconnect the power cable.

Clean the appliance. (see 6. Cleaning)

d) Breakdown / repair:

In case of breakdown or of damaged part, please call your after-sales service and confide any technical operation to qualified person.

When you contact the after-sales service of your distributor or your store, give him the complete reference of your device (commercial name, type and serial number). This information appears on the visible descriptive plate behind the device.

6. CLEANING AND MAINTENANCE

Disconnect the device.

- Let cool completely the device before any technical intervention or cleaning.
- Clean regularly the device after each use
- Dry the machine with a soft cloth.
- For cleaning, only use non-abrasive products, warm water and wash liquid. Rinse your device with a wet sponge.
- Never clean the device under a water jet, the infiltrations would risk to damage it in a irreparable way.
- Never immerse the device, the cord or the plug in the water or quite other liquid to avoid any electric shock.
- Regularly change the water to avoid any scale deposit
- Never use abrasive product or vinegar; it could damage the container in irremediable way.

7. TECHNICAL SPECIFICATIONS

Model	CO 60
Outside dimensions	215x430x255 mm
Weight	4.5 Kg
Power	1200 W
Current	5 A
No element	1
Voltage	220-240 V ~

Wires colours correspondence

Phase

Brown / Black / Grey

Neutral

Blue

Earth

Yellow-Green

8. NORMS AND LEGALS DISPOSALS

The device is conform to :

IEC/EN 60335-1

IEC/EN 60335-2-50

EN 55014-1 + 55014-2

EN 61000-3-2 +61000-3-3

9. ELIMINATION OF THE ELECTRIC AND ELECTRONIC WASTE

The device respects the directives:

2002 / 96 / CE (DEEE) N°34270064800021

2002 / 95 / CE (ROHS)

2006/95 CE

2004/108 CE



Reach rule

Never put the device among household waste.

The device must be put down in a centre of recycling for the electric equipments.

The materials of the device are indeed reusable. By eliminating correctly the electric and electronic wastes, the recycling and quite other shape of re-use of worn equipments, you participate in a significant way in the environmental protection.

For any information about the collection of electric and electronic waste, please contact your distributor.