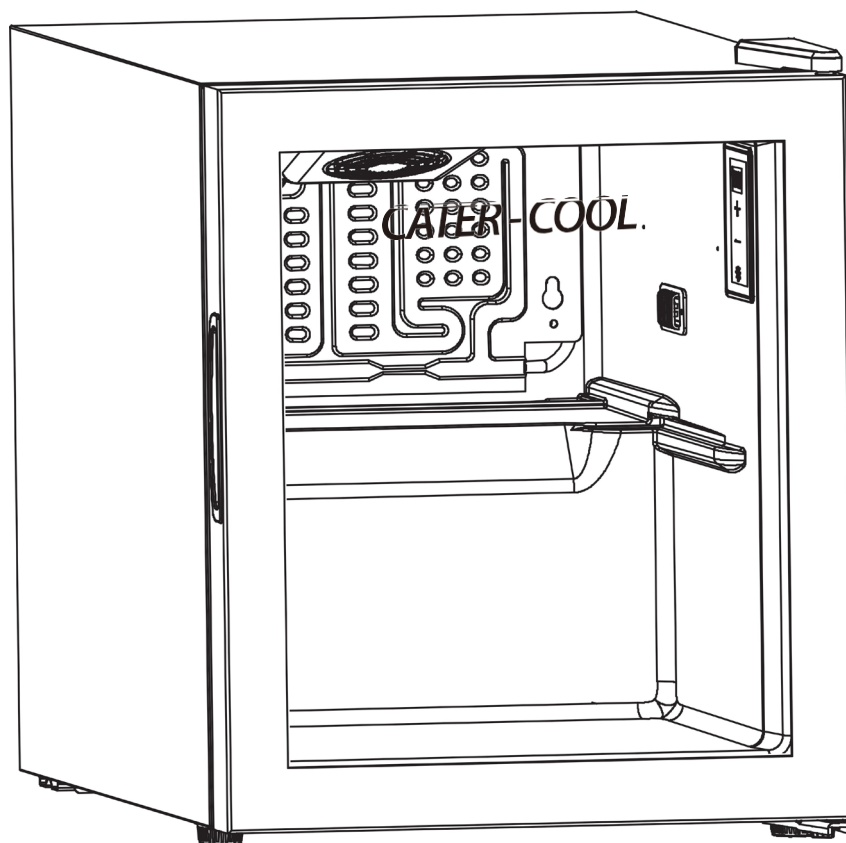


# CATER-COOL

## Compressor Refrigerator

### Operating Instruction

MODEL: CK5045



Thank you for purchasing our Cater-Cool Countertop Compressor Refrigerator. To ensure proper operation of this cooler, please read the instruction manual carefully before use and please keep near the product.

CATERKWIK, The Lakeland Catering Centre, Newlands, Ulverston, Cumbria, LA12 7QQ.  
Tel: 01229 480001 | Email: INFO@CATERKWIK.CO.UK

**CATER-KWIK** LTD  
Internet Prices With Traditional Service

Please read this manual carefully prior to use & keep it in a convenient place for future reference.

## Contents

Page 3	Important Safety Instructions
Page 4	Installation Instructions
Page 4	Parts & Features
Page 5 & 6	Unit Operation
Page 7	General Fault Description
Page 8	Wiring Diagram
Page 8	Product Disposal

## IMPORTANT SAFETY INSTRUCTIONS



To reduce the risk of fire, electrical shock, or injury when using your appliance, follow these basic precautions:

·Before using the appliance, please read this user manual to ensure that you gain the maximum benefit from it.

### WARNING:

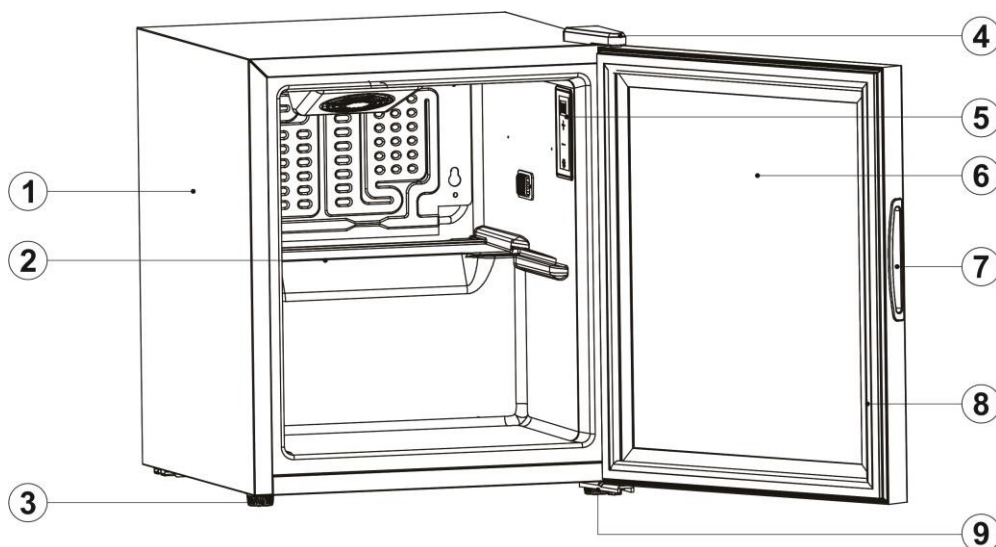
- 1) This appliance is not intended for use by persons (including children) with reduced physical, sensory or mental capabilities, or lack of experience and knowledge unless they have been given supervision or instruction concerning the use of the appliance, and hazards involved, by a person responsible for their safety.
  - 2) Children should be supervised to ensure that they do not play with the appliance.
  - 3) Cleaning and user maintenance should not be done by children or persons with reduced physical, sensory or mental capabilities.
  - 4) If the supply cord is damaged, it must be replaced by the manufacturer, its service agent or similarly qualified persons to avoid a hazard.
  - 5) To avoid a hazard due to instability of the appliance, it must be fixed in accordance with the instructions.
  - 6) When positioning the appliance, ensure the supply cord is not trapped or damaged.
  - 7) Do not locate multiple portable socket-outlets or portable power supplies at the rear of the appliance.
  - 8) Keep ventilation openings, in the appliance enclosure or in the built-in structure, clear of obstruction.
  - 9) Do not use mechanical devices or other means to accelerate the defrosting process, other than those recommended by the manufacturer.
  - 10) Do not damage the refrigerant circuit.
  - 11) Do not use electrical appliances inside the drink storage compartments of the appliance, unless they are of the type recommended by the manufacturer.
  - 12) Do not store explosive substances such as aerosol cans with a flammable propellant in this appliance.
  - 13) This appliance is intended to be used in household and similar applications such as
    - staff kitchen areas in shops, offices and other working environments.
    - farm houses and by clients in hotels, motels and other residential type environments.
    - bed and breakfast type environments;
    - catering and similar non-retail applications.
  - 14) To avoid contamination of drink, please respect the following instructions:
    - Opening the door for long periods can cause a significant increase in the temperature of the compartments of the appliance.
    - If the refrigerating appliance is left empty for long periods, switch off, defrost, clean, dry, and leave the door open to prevent mould from developing within the appliance.
- **Note:** This appliance contains flammable refrigerant R600a and foaming agent cyclopentane.
- Avoid contact with fire during use and transportation.
  - If the appliance is broken or requires repair, please contact a service professional.
  - If disposing of the appliance, please take it to your local appointed disposal station.

-Save these instructions-

## INSTALLATION INSTRUCTIONS

- This appliance is designed to be free-standing only, and should not be recessed or built-in.
- Place your appliance on a floor or surface that is strong enough to support the appliance when it is fully loaded. To level your appliance, adjust the levelling legs at the bottom of the appliance.
- Allow 10 cm of space between the top, the back and sides of the appliance, which allows the proper air circulation to cool the compressor and condenser.
- Locate the appliance away from direct sunlight and sources of heat (stove, heater, radiator, etc.). Direct sunlight may affect the acrylic coating and heat sources may increase electrical consumption. Extreme cold ambient temperatures may also cause the unit not to perform properly.
- Avoid locating the appliance in damp, moist or wet areas.
- Plug the unit into an exclusive, properly installed-grounded wall outlet. Do not, under any circumstances, cut or remove the third (ground) prong from the power cord. Any questions concerning power and/or grounding should be directed toward a certified electrician or the manufacturer.
- After accepting delivery of the appliance, allow 2-3 hours before plugging the unit in. Once plugged in, wait a short duration before storing any products to allow the appliance to achieve the set temperature.

## PARTS AND FEATURES

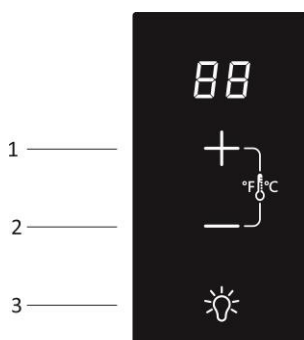


- 1: Cabinet
- 2: Shelf
- 3: Foot
- 4: Upper Hinge
- 5: Temperature Control

- 6: Glass Door
- 7: Door Handle
- 8: Door Gasket
- 9: Bottom Hinge

# OPERATING YOUR UNIT

## Setting the Temperature Control



### Key Function:

- ① Plus key: When pressed, the displayed temperature will increase.
- ② Minus key: When pressed, the displayed temperature will decrease.
- ③ Light: When pressed, the light will switch on/off.
- ④ CF key: Press the "+" and "-" keys simultaneously for 2s to switch between Fahrenheit and Celsius.

### Auto light off function

When all the key no operation for 10 minutes, the lamp will turn off automatically.

### Adjustable range

Minimum value: 0°C / 32°F.

Maximum value: 20°C / 68°F.

### Display range

Temperature display range of control panel: 0~37°C / 32~99°F.

### Display stability

In the Celsius state: When the temperature measured by the temperature probe is within  $\pm 1^{\circ}\text{C}$  of the set temperature, the temperature display will display the set temperature value.

In the Fahrenheit state: When the temperature measured by the temperature probe is within  $\pm 2^{\circ}\text{F}$  of the set temperature, the temperature display will display the set temperature value.

### Error code

LL: When the temperature measured by the temperature probe is lower than 0°C, "LL" will display, flashing, and the cooling will stop.

When the temperature probe is short-circuited or disconnected, the setting temperature value will display. The compressor will work for 15 minutes and stop for 18 minutes.

When the temperature measured by the temperature probe is higher than 37°C, the setting temperature value will display. The compressor will work for 15 minutes and stop for 18 minutes.

### Forced defrosting function

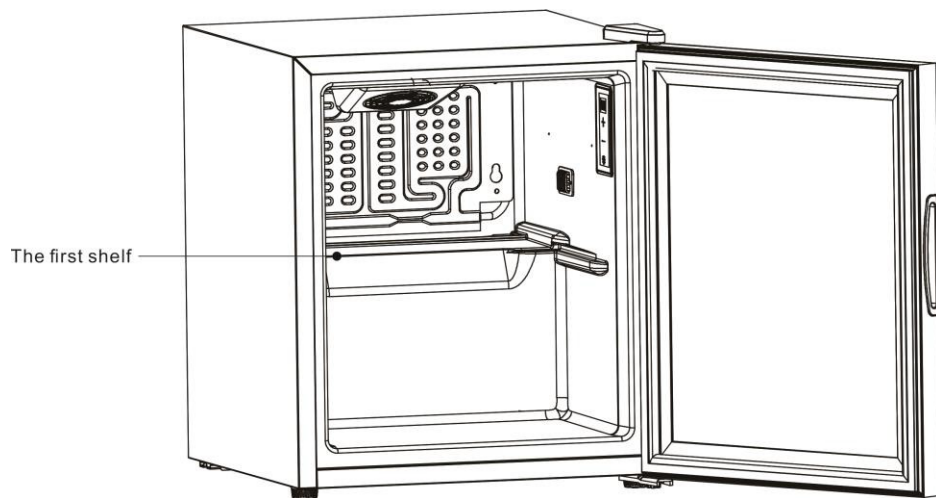
When the compressor works for 12 hours, the compressor will stop working for 40 minutes.

### Memory function

The control board is re-energized after each power-off, the temperature setting value, Fahrenheit/Celsius state will be the same as before the power-off. The duration of time that the appliance is turned off will not affect this function.

**Tips:**

- The Cater-Cool CK5045 is designed as a pantry fridge. It is not suitable for freezing foodstuffs and does not contain a freezer compartment.
- The CK5045 is designed to operate at an ambient temperature of 17°C.
- The CK5045 has one shelf included as standard. Please refer to the diagram to optimise placement and energy efficiency.

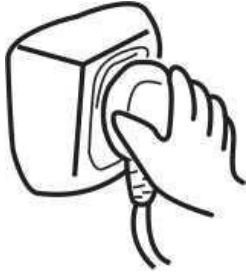


## GENERAL FAULT DESCRIPTION

In the event that the appliance is not working properly, please try the following suggestions before calling for a service call.

If the suggestions do not help fix the issue, please ensure you have the model and serial number(s) available.

### The refrigerator doesn't work



Is the power on?

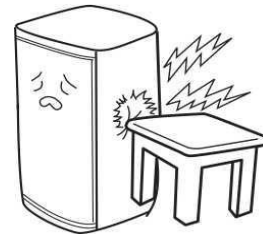


Is the power supply voltage too low?

### Loud or abnormal noise



Ensure the ground or surface is flat and make sure the appliance is stable. Adjust the leveling legs if required.

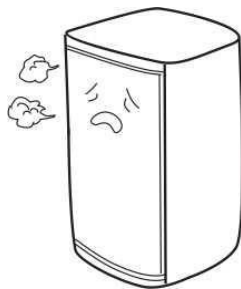


Is the appliance in contact with external objects or walls

### The internal temperature is not low



Improper setting temperature, please select the appropriate temperature.



The door is not closed tightly or opened frequently, and the opening time is too long.

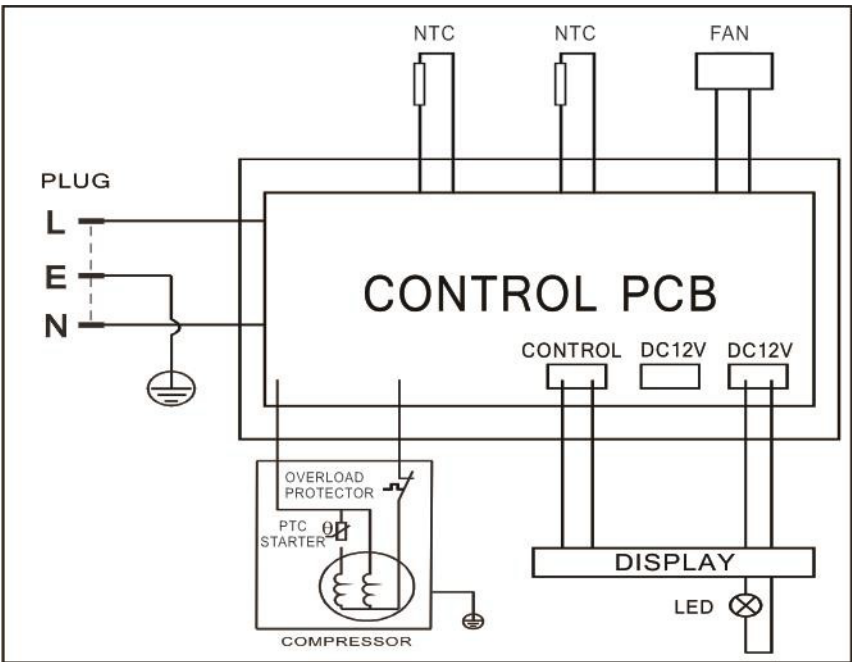


Is the location exposed to direct sunlight or too close to the furnace and other heat sources.



Poor heat dissipation, please check whether there is enough cooling space around the product.

# WIRING DIAGRAM



## Correct disposal of this product



This symbol on the product, or in its packaging, indicates that this product may not be treated as household waste. Instead, it should be taken to the appropriate waste collection point for the recycling of electrical and electronic equipment. By ensuring this product is disposed of correctly, you will help prevent potential negative consequences for the environment and human health, which could otherwise be caused by the inappropriate waste handling of this product. For more detailed information about the recycling of this product, please contact your local council, your household waste disposal service, or the shop where you purchased the product.