

SPECIFICATIONS

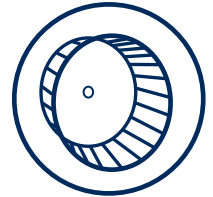
MDE/MDG20MN - EXPORT

SUPER-CAPACITY DRYER



TURBOVENT® TECHNOLOGY

- Engineered with a high-speed blower for exceptional performance in long-vent applications.
- Provides efficient drying and boosts productivity.



EXTRA-LARGE CAPACITY

- 7.4-cu.-ft. capacity allows for large loads to be dried effectively and efficiently.
- Optimal drying experience maximizes facility productivity.



EASY-TO-USE CONTROLS

- Mechanical controls provide a simple user interface with robust, easy-to-use knobs.



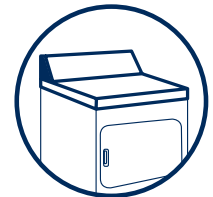
FOUR-ROLLER SUSPENSION WITH PERMANENTLY LUBRICATED BEARINGS

- Designed to provide consistent and dependable drying, cycle after cycle.



PORCELAIN-ENAMEL TOP

- Possesses the strength and craftsmanship required for the traffic of a commercial laundry environment.
- Boosts durability and aesthetics.



AMERICA
AN AMERICAN COMPANY FOR OVER 100 YEARS

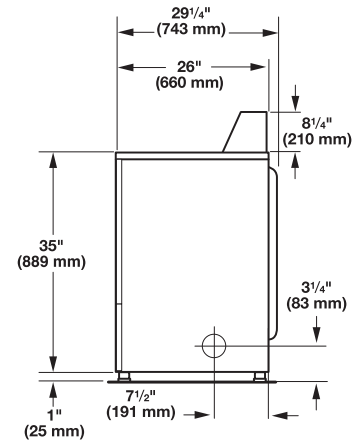
SPECIFICATIONS



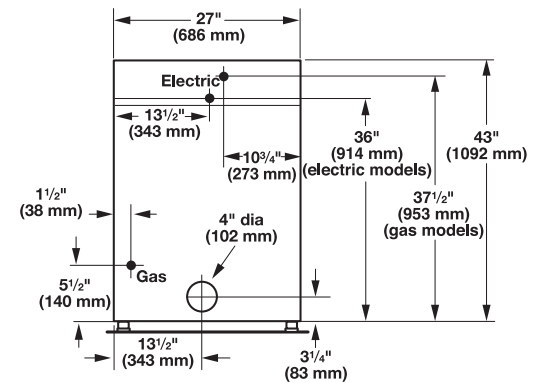
MDE/MDG20MN - EXPORT SUPER-CAPACITY DRYER

MAYTAG® COMMERCIAL SUPER-CAPACITY DRYER MECHANICAL CONTROLS, NON-COIN

| DRYER SPECIFICATIONS | |
|--|-----------------------|
| MODEL | MDE/MDG20MNBGW |
| MOTOR SIZE—HP (KW) | 1/3 (.25) |
| AIRFLOW—CFM MDE/MDG MODEL | 215/230 |
| ELECTRIC HEATING ELEMENT (WATTS) EXPORT | 4,600 |
| GAS RATING—BTU/HR. (KCAL/HR.) | 20,000 (5,040) |
| GAS INLET SIZE | 3/8 N.P.T. |
| CAPACITY | |
| Cylinder volume—cu. ft. (liters) | 7.4 (210) |
| Cylinder diameter—in. (mm) | 26.26 (667) |
| Cylinder depth—in. (mm) | 23.2 (590) |
| DIMENSIONS | |
| Width—in. (mm) | 27 (686) |
| Depth—in. (mm) | 29.25 (743) |
| Height—in. (mm) | 41 (1,042) |
| Door opening—in. (mm) | 20.25 (514) |
| Exhaust duct diameter—in. (mm) | 4 (101.6) |
| CRATED DIMENSIONS | |
| Width—in. (mm) | 28.8 (731) |
| Depth—in. (mm) | 30.8 (782) |
| Height—in. (mm) | 44.65 (1,134) |
| APPROXIMATE WEIGHT | |
| Uncrated—lbs. (kg) MDE/MDG model | 115 (52.2)/127 (57.6) |
| Crated—lbs. (kg) MDE/MDG model | 125 (56.7)/137 (62.1) |
| ELECTRICAL REQUIREMENTS | |
| Electrical rating—voltage/HZ | 220–240V/50Hz |
| Breaker/Fuse—amps MDE/MDG model | 25/10 |
| <small>Dimensions are for planning purposes only. See specific instructions for proper installation. Because of continuous product improvement, Maytag reserves the right to change specifications without notice.</small> | |



Side View



Back View



MAXIMUM EXHAUST DUCT LENGTH PER NUMBER OF TURNS

| Number Of 90° Turns | Rigid Metal Vent | |
|------------------------|--------------------------------|----------------------|
| | Box Hood and Louvered Style | Angled Hood Style |
| 0 | 135 ft. (41.2 m) | 129 ft. (39.3 m) |
| 1 | 125 ft. (38.1 m) | 119 ft. (36.3 m) |
| 2 | 115 ft. (35.1 m) | 109 ft. (33.2 m) |
| 3 | 106 ft. (32.3 m) | 100 ft. (30.5 m) |
| 4 | 98 ft. (29.9 m) | 92 ft. (28.0 m) |

