



CATER-WASH


CK1543AA DLUX Commercial Dishwasher - Drain Pump



 Made in Italy

 Easy Operation

 Low water consumption

 Fits 18 x 240mm and 9 x 320mm plates

External Dimensions	W600 x D610 x H820mm (+10-20mm with feet)
Internal Dimensions	W500 x D500 x H330mm
Electrical Load	5.3kW single phase
Electrical Connection	230V 50Hz
Interior/Exterior	AISI 304 Stainless Steel
Wash Temperature	55 - 65°C
Rinse Temperature	84°C
Water Consumption	3 Litres per rinse
Wash Tank Capacity	33 Litres
Boiler Capacity	5.8 Litres
Water Supply Min / Max	0.5 - 7bar
Net Weight	60kg

Caterkwik Ltd

The Lakeland Catering Centre
Newlands
Ulverston
Cumbria
LA12 7QQ

01229 480001

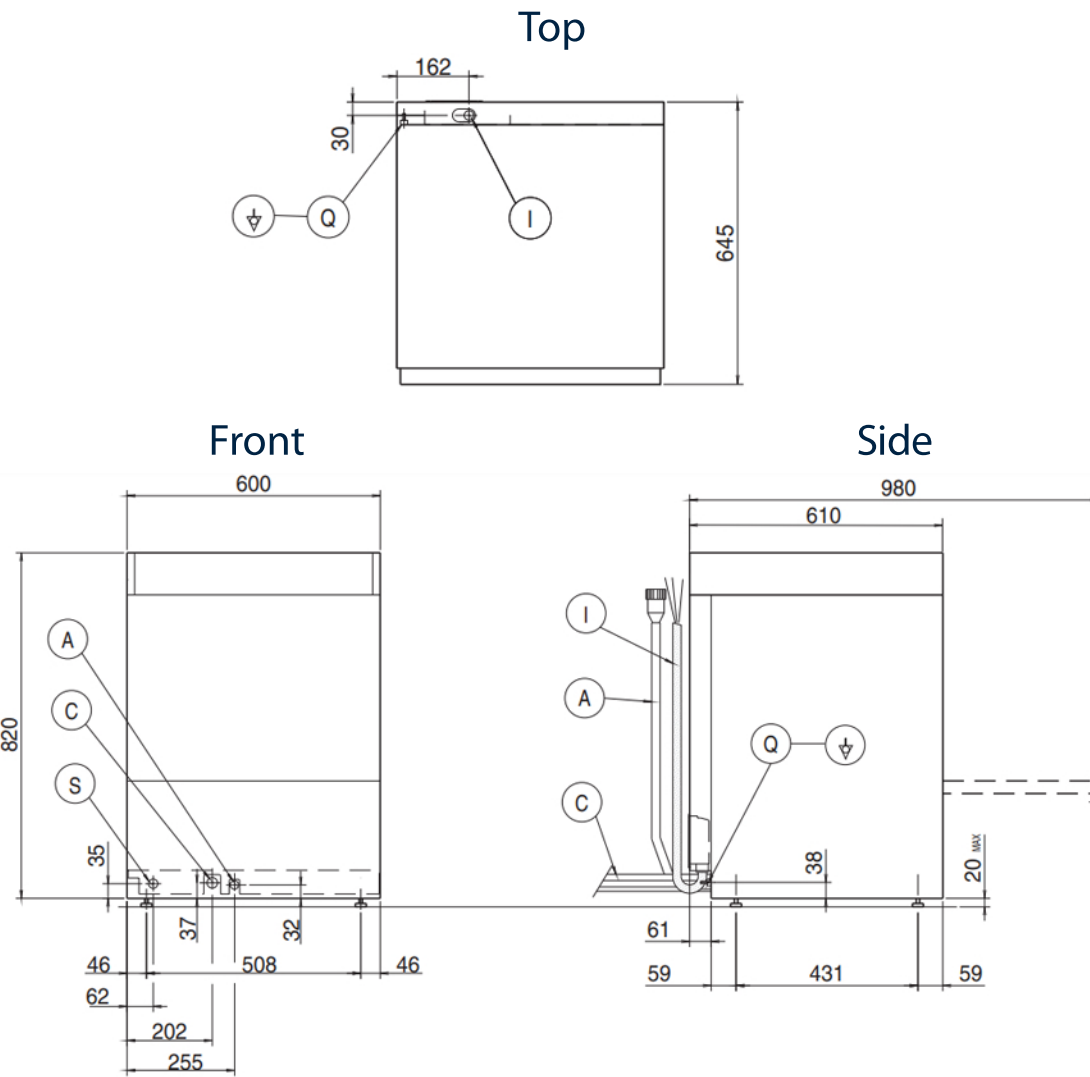
info@caterkwik.co.uk

CE

CK1543AA DLUX Commercial Dishwasher - Drain Pump

Accessories Included

- 1 x cutlery container
- 1 x 500x500mm flat basket
- 1 x 500x500mm pegged basket



- C** = Drain
- I** = Electrical Connection
- Q** = Equipotential Screw
- A** = Hot Water Inlet

Caterkwik Ltd

The Lakeland Catering Centre
 Newlands
 Ulverston
 Cumbria
 LA12 7QQ

01229 480001

info@caterkwik.co.uk