

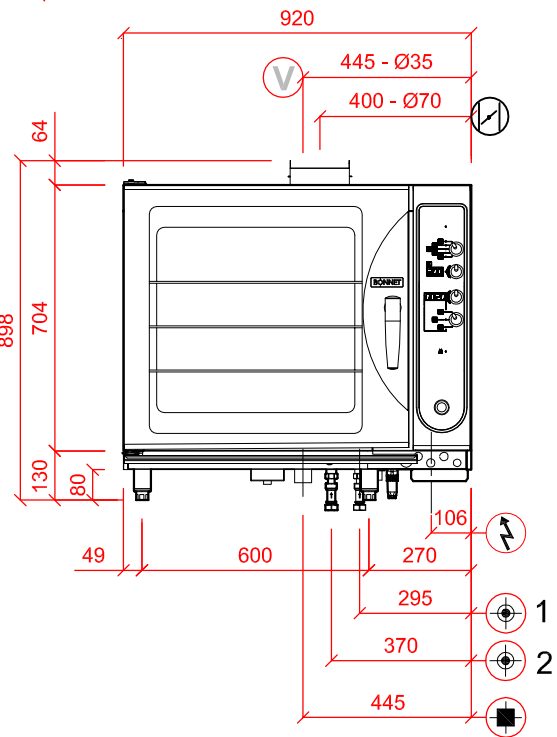
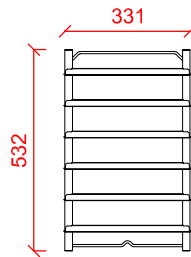
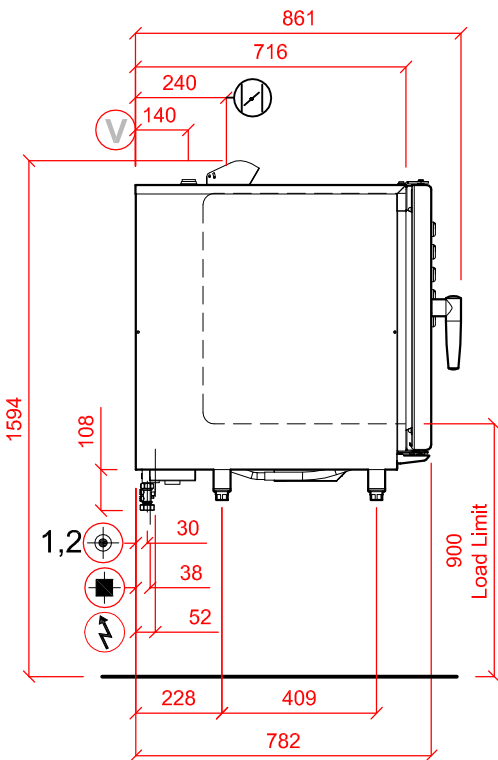
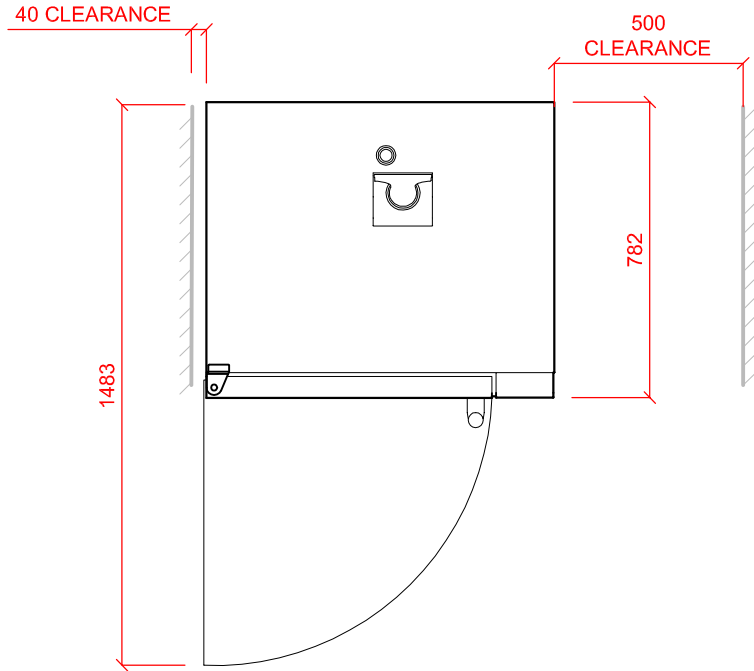
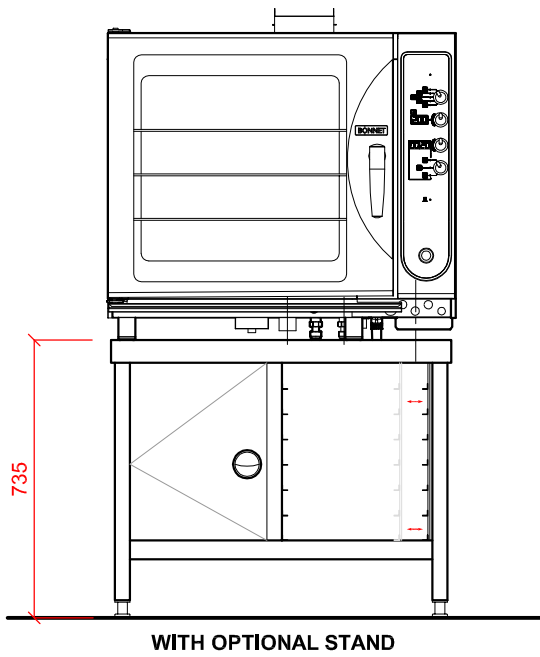
COMBINATION OVEN
EQUATOR SERIES



HOBART UK
SOUTHGATE WAY
ORTON SOUTHGATE
PETERBOROUGH
PE2 6GN
TELEPHONE - 0844 888 7777
www.hobartuk.com

Equator 6 level GN 1/1 Electric Combi Oven

BEQE061/1-11



Water	Drain	Electric Loading	Vent Outlet
1 - 3/4" BSP POTABLE WATER. 7.5 LITRE/MIN. 1.5 TO 6.0 BAR PRESSURE MAX TEMP: 30°C (2 TO 5° CLARK MAX) FOR INJECTION AND CLEANING 2 - 3/4" BSP UNTREATED WATER FOR CONDENSE	1.1/2" PIPE CONNECTION CONDENSATE TEMPERATURE APPROX 98°C SPECIAL NOTE: DO NOT INSTALL UNIT CLOSE TO HOT APPLIANCES ON CONTROL PANEL SIDE UNIT SHOULD BE LOCATED UNDER A VENTILATION CANOPY. RECOMMENDED TO BE USED WITH A WATER TREATMENT SYSTEM . WEIGHT 105kg net	9.3kW 400/50/3 FUSE AT 14.3 AMPS/PHASE	35mm Ø RECOMMENDED EXTRACTION FLOW 390m3/hour RIGHT TO MAKE NECESSARY CHANGES IS RESERVED

ELECTRICAL CONNECTION
 WATER CONNECTION
 DRAIN
 VENT OUTLET
 CHIMNEY WITH CHOKE.

PLOT SCALE: 1:20