



## Batch Bun Toaster Product # 212-GFCCE

The Prince Castle Batch Bun Toaster is designed to perfectly caramelize large quantities of buns easily and quickly. This toaster ensures uniform heat throughout the bun, and seals its surface against saturation by condiments. Model 212-GFCCE features an adjustable cycle timer and an adjustable thermostat. A stainless steel bun board with a heavy-duty insulated handle ensures proper crush for perfect caramelization. The toaster holds up to 12 complete buns at a time and adjusts to accommodate different thicknesses.

### Product Features

- Toasts up to 12 complete buns at one time.
- Provides perfect caramelization by contact toasting for better tasting product and prevents condiments from saturating buns.
- Unit is easy to clean and maintain.
- Visible and audible alarms signal toast cycle is complete.
- Adjustable thermostat provides precise toasting for all types of bread products.
- Adjustable bun thickness controls.
- Adjustable timer from 20-100 seconds.
- Stainless steel and aluminum construction.
- Durable nickel-plated heating platen provides uniform heat.
- One year parts and labor warranty.
- Includes one (1) spatula.



# 212-GFCCE Batch Bun Toaster

## Dimensions

Model Number	Length in (cm)	Width in (cm)	Height in (cm)	Shipping Weight lbs (kg)
212-GFCCE	27.50 (69.85)	16.00 (40.64)	11.63 (29.53)	70.00 (31.70)

## Accessories

Model Number	Description
212-419	Aluminum Bun Spatula (1 included)
224-5	Bun and Utility Pan
212-635	Release Sheet Mounting Kit
212-491S	Release Sheet (pkg of 2)

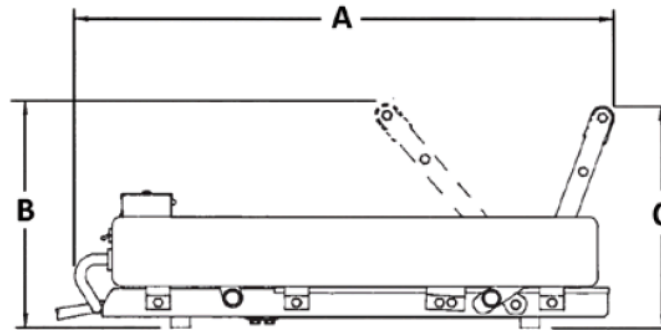
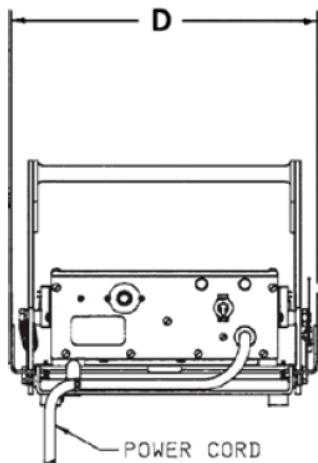
## Ordering Information

Model Number	Description
212-GFCCE	12-Bun Batch Bun Toaster w/ Spatula

## Electrical

Model Number	Description	Volts	Hz	Watts	Amps	Plug
212-GFCCE	12-Bun Batch Bun Toaster w/ Spatula	230	50	2300	10 max	CEE-17

## Specifications



## Certifications

