

User manual for:

Manufacturer	Model
Interelevin	Aquarius Range:
	AQ40
	AQ60
	AQ90

Uploaded: December 2017

Interlevin Refrigeration Ltd
West Meadow Rise
Castle Donington
Derby
DE74 2HL

Sales: 01332 850090
Parts: 01332 850190
Service: 01332 850064
Email: trade.sales@interlevin.co.uk
Web: www.interlevin.co.uk

Aquarius

ice makers

Installation and user manual



Interlevin Refrigeration Ltd

West Meadow Rise
Castle Donington
Derby
DE74 2HL
UK

Sales: 01332 850090

Spares: 01332 850190

Service: 01332 850064

Email: trade.sales@interlevin.co.uk

Web: www.interlevin.co.uk

MODELS:

AQ40 / AQ60 / AQ90

www.interlevin.co.uk

Interlevin
REFRIGERATION

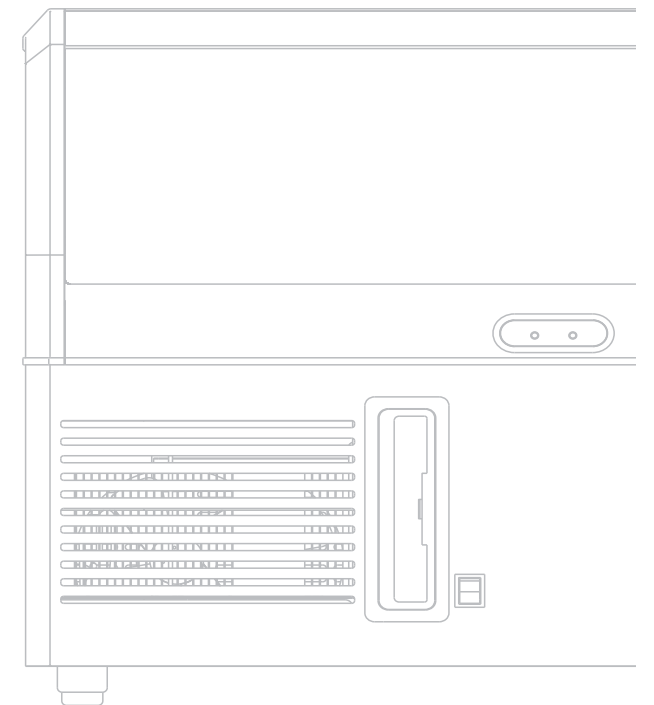
03 Part I
Warning

10 Part IV
Maintenance
& Cleaning

04 Part II
Installation

13 Part V
Before calling
for service

08 Part III
Operating
Instructions



PART I

WARNING

***Please read the following instruction before operating the machine:**

- A** Proper installation, use and maintenance of this machine are all important for maintaining production and personnel safety. In order to reduce the failure rate, please read the instructions carefully. Improper use could result in equipment damage, personal injury or even death.
- B** Do not use the ice maker if you have not been trained.
- C** Do not let children play with the ice maker or its packaging materials.
- D** At least two people are required to lift the ice maker or it is recommended that a lifting device is used.
- E** A qualified engineer must perform the installation and ongoing maintenance.
- F** When operating, all procedures must be followed to ensure no damage occurs to the cooling system.
- G** Do not operate the ice maker if there is any unauthorised changes to the original specifications of the machine, or if the machine is misused, abused or neglected.
- H** Ensure the ice maker's front panel and cover are in place before turning this machine on.
- I** Do not cover the ice-maker's vents, there must be at least 15 cm clearance around the ice maker at all times during operation.
- J** Do not store flammable gases or liquids near the ice maker.
- K** Do not use high-pressure water cleaning devices to clean the ice maker.
- L** It is the user's responsibility to take appropriate precautions to ensure the safety of staff using and for the ongoing maintenance of the ice maker.
- M** To prevent accidental injuries, keep the area clean and tidy.

PART II

INSTALLATION

IMPORTANT

- 1 The manual is an integrated part of the product and should be kept and preserved by the users for future reference. Please read the instructions carefully for correct installation method, safety warnings and maintenance information of the product.
- 2 This ice maker is designed for commercial use and should be used for purpose for which it has been expressly designed. Any other use should be considered improper and therefore dangerous. The manufacturer will not be liable or responsible for any damage caused by improper, incorrect and unreasonable use.

I. INSTALLATION

Warning

The installation must be carried out by qualified personnel, in accordance with current regulations, and as per the manufacturer's instructions.

1. UNPACKING

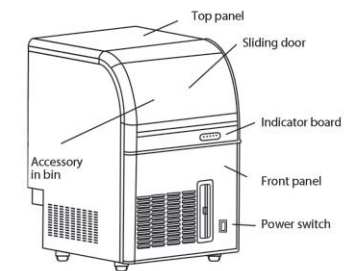
Warning

Keep the packing material out of reach of children, (such as plastic bag, polystyrene, etc.)

Attention

- 1 Remove shipping carton, tape and packing. If packing material is left in the ice maker, it will not work properly.

- 2 After removing the packing, make sure the ice maker is in good condition. If in doubt, please do not use the ice maker & contact your supplier or Interlevin Refrigeration Ltd.
- 3 Remove shipping tape which is holding the door and front panel.
- 4 Remove the protective plastic film from the exterior. If the ice maker is exposed to the sun or heat, remove the film after ice maker cools down.
- 5 Remove the package of accessories, and check the content:
 - a Inlet water hose b Ice shovel
 - c Drain tube d Plastic connector



2. LOCATION

- 1 This ice maker is not intended for outdoor use. Normal operating ambient temperature should be within 7°C to 30°C. Normal operating water temperature should be within 7°C to 35°C. Operation of ice maker for extended periods, outside of these normal temperature ranges, will affect production and may damage the unit.
- 2 Ensure that free flow of clean air is available around the ice maker
- 3 The ice maker should not be located close to the heat source or exposed to the sun.
- 4 Location should provide a firm and level foundation for the ice maker.
- 5 Allow 15cm clearance at rear and sides for proper air circulation and ease of maintenance.
- 6 This ice maker is not suitable for installation in an area where a water jet could be used and where water dripping is not allowed.
- 7 If ambient temperature drops below 7°C the unit should not be used. Water should be drained out of the unit and supply hoses to prevent damage if the water freezes.

3. Levelling the ice maker

- 1 Care should be taken to ensure the ice maker is level for correct operation. The unit has 4 adjustable feet on the bottom for levelling. A spirit level should be used. Be aware if it is not level it will affect ice production.

WARNING

If the power supply cord is damaged, don't operate the machine until it is replaced by the authorized service agent or qualified engineer.

CAUTIONS

Please take protective measures when the ambient temperature is below 7°C. Faults due to the ambient temperature below 7°C are not covered by warranty.

4. ELECTRICAL CONNECTION

WARNING

All wiring must conform to local, state and national regulations.

- 1 This ice maker must be plugged into an independent power source, or an electrical socket of voltage at specified range.
- 2 This ice maker must be connected with an independent fuse/ circuit breaker .

ELECTRICAL SPECIFICATION

Ice Maker	Voltage, phase, frequency	Circuit breaker/fuse max.capacity	Total current
AQ-40	240V/50Hz	13amp	2.5A
AQ-60	240V/50Hz	13amp	2.9A
AQ-90	240V/50Hz	13amp	4.2A

5. Water supply and Drain connection

* We recommend the installation of an inline water filter. This will help reduce limescale build up and improve efficiency and overall lifespan of the unit. Breakdown caused by limescale build up will not be covered under warranty.

* Water supply pressure should be minimum 0.14Mpa (1.4 Bar) and maximum 0.55Mpa (5.5 Bar). If the pressure exceed 0.55Mpa use a pressure reducing valve.

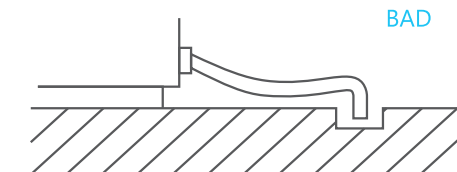
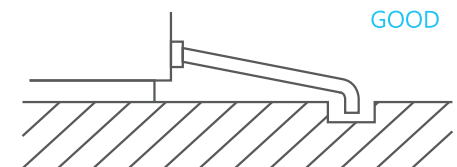
* Drain pipe should be installed into an open trapped drain.

* Ice maker drain is gravity flow. Please ensure drain pipe has an adequate pitch or fall.

WARNING

Piping installation must conform to relevant regulations.

* To prevent a backflow into machine, please refer to image 1 for (insert a space) installing water drain pipe.



- 1 Attach the free end of inlet hose to the water supply tap (see diagram 1). Hand tighten sufficiently to provide leak free joint. It is advisable to have the stop valve within easy reach.
- 2 Push the flexible drain hose onto the drain spigot (see diagram 2) and secure

in position with the clip provided, check there are no leaks from the joint. The pipe can be cut to length as necessary to suit position of the main drain.

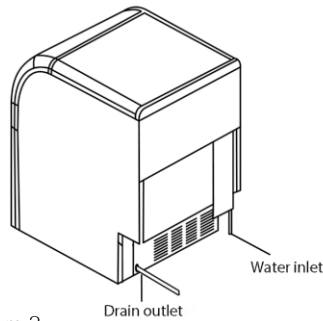


Diagram 2



Diagram 1

Part	Water temperature	Water pressure	Connector size of ice maker	Drainpipe size
Water inlet tube	minimum 7°C maximum 35°C	minimum 0.14Mpa maximum 0.55 Mpa	2M * one end is 3/4 internal thread connector , the other end is quick connector	1.5M*Ø12mm Corrugated Bellow Tube
Water inlet tube	minimum 7°C maximum 35°C	minimum 0.14Mpa maximum 0.55 Mpa	2M * 3/4 internal thread connector both side	1.5M*Ø12mm Corrugated Bellow Tube

BEFORE ICE MACHINE START

All ice machines' adjustment have been factory pre-set before shipment.

Adjustment to program or setting is not required for new ice machine installation.

In order to make sure that ice machine operate normally, please refer to part III of this manual. Checking and monitoring of Ice machine operation is the responsibility of users.

PRE-INSTALLATION CHECKLIST

- Is the ice machine on a horizontal level surface and the unit levelled using the adjustable feet.
- Is ice machine water pipe installed correctly?

- Have all inner packaging and accessories been removed?
- Is water supply, drain and electricity connected properly?
- Is power supply voltage matching with the specified voltage on rating plate?
- Is there proper ventilation around ice maker for good airflow?
- Is ice machine and storage bin cleaned?
- Is ice machine earthed correctly?
- Is power switched on?
- Is ice machine located at ambient temperature between 7°C to 30°C?

- Is the inlet water temperature between 7°C to 35°C
- Have all users been trained in operation of this unit?

Observe the first ice cube harvest and check size of the ice cubes; if an adjustment is necessary, turn the adjustment screw clockwise to increase ice thickness, counter clockwise to decrease ice thickness.

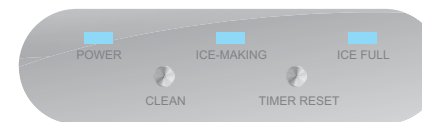
Every 1/3 circle turn will increase or decrease 1.5mm as shown as below illustration.

PART III

Operating Instructions

CONTROL PANEL

There are three indicator lights on the front control panel. This provides information on the status of the machine.



Running Status	Power Light	Ice-making Light	Ice full Light
Cleaning	ON	OFF	OFF
Ice making	ON	ON	OFF
Ice full	OFF	OFF	ON

Error Status	Power Light	Ice-making Light	Ice-making Light
Condenser sensor error	*	*	Flashing
Evaporator sensor error	*	Flashing	*
Water shortage	Flashing	*	*

Notice:

The screw position of ice thickness sensor determines the distance between the sensor reeds and evaporator plate. Temp tech standard gap space should be range of 4mm--7mm, please keeping the ice cube at a proper thickness.

Caution:

Do not adjusting the gap out of manufactory required standard. Improper adjustment are not cover by warranty.

I. Warning

1. This ice maker produces and stocks ice for use. To keep the ice maker clean and sanitary, the requirements are as follows:
 - * Wash your hands before taking ice and use special ice shovel.
 - * The ice maker is only used for production and storage of ice, do not store any other items in it.

* The ice storage bin should be cleaned before use.

* Keep the ice shovel clean. Please wash the ice shovel with neutral detergent and clean water.

* Close the sliding door of ice storage bin after taking the ice, to prevent dirt and dust from getting into the ice storage bin. Please follow the basic principles while using any electrical device, Points to note:

* High humidity may increase the risk of electric shock. If in any doubt, please disconnect the ice maker from electrical supply.

* Do not pull or stretch the power cord.

* The ice maker is not suitable for use by children.

3. After shutting off the ice maker, you should wait at least 3 minutes before restart, in order to avoid any damage to the compressor.

1. Ice maker start up

Ice maker has been a pre-set 3 minutes cleaning programme which starts automatically after machine is switched on. After cleaning programme, it switches over to ice making mode automatically.

2. Ice maker processing

Ice production will start once the water has reached the correct level.

3. Ice harvesting/production

Once ice cubes have reached correct thickness, the machines will go into a harvest mode and ice cubes will drop into the storage bin.

4. Ice full

When Ice bin is full, ice level switch will switch off the ice maker and Ice Full indicator light will be ON. When the ice level drops, the ice full switch will reset and ice maker will restart.

5. To make sure the continuous running of the ice maker, please check the following steps:

* Water supply is connected and tap is open.

* Ice maker has been connected to the electrical socket and machine switch on.

* Ice making" indicator is lighting on .

Long term storage of ice maker

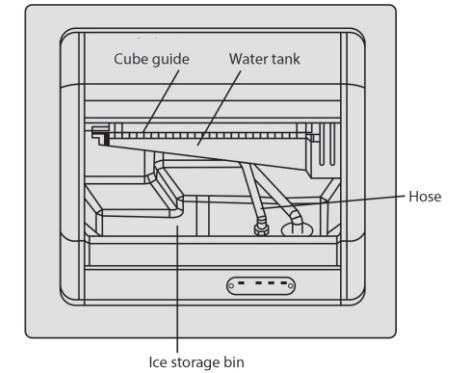
1 Turn control switch to "off" position

2 Unplug the power cord or power off the machine

3 Turn off the water supply and remove the water inlet pipe.

4 Remove all ice out of the storage bin, clean and dry the machine.

5 Disconnect the silicone hose, to discharge water from water tank. After water drains out, reconnect the silicone hose to the correct position.



III. Machine Specifications

Model	Ice making (KG/24h)	Storage(KG)	Power(W)	Voltage Frequency	Dimension (mm) W*D*H
AQ-40	45/43	13	360/380	240V/50Hz	506×656×845
AQ-60	62/56	22	400/420	240V/50Hz	610×656×960
AQ-90	102/94	34	740/760	240V/50Hz	715×656×960

PART IV OPERATION INSTRUCTION

Warning

1. Disconnect electrical power before performing any cleaning or maintenance.
2. Inspection and cleaning the condenser should be done only by a qualified service technician, at least once every

year.

3. Don't clean the ice maker by spraying water.
4. To prevent cracks to the plastic part of ice maker, do not use any alcohol or disinfecting -type cleaners.

5. Do not remove the top cover or the heat partition without authorization. Removal should be performed only by qualified service technicians.

6. External

Clean the ice maker exterior by wiping with a clean soft cloth, at least once a week. Use damp cloth with neutral detergent to wipe off grease and dust.

2. Clean and disinfect the sliding door handle of ice maker and ice shovel (every day)

1) We recommend the use of warm water and food safe steriliser or disinfectant.

2) Immerse ice shovel into the solution for at least 3 minutes, rinse thoroughly with water, and shake off excess water.

3) Clean sliding door handle of ice storage bin with food safe detergent, rinse thoroughly with water.

4) Wipe the machine with a clean cloth soaked in cleaning solution. After rinsing with water, dry it with a clean cloth.

3) Clean sliding door handle of ice storage bin with food safe detergent, rinse thoroughly with water.

4) Wipe the machine with a clean cloth soaked in cleaning solution. After rinsing with water, dry it with a clean cloth.

3. Clean and disinfect the ice storage bin (every week)

1) Open the ice storage bin's sliding door, take out all the ice.

2) Clean ice storage bin using a neutral food safe detergent which does not contain any fine particles. Then rinse thoroughly with clean water.

3) Use a clean cloth, soaked in neutral detergent to wipe inside door surface, wipe away the detergent with a clean cloth.

Note: Some solutions may cause damage or corrosion to metal parts of the ice maker inside surface.

All the solution should be rinsed away thoroughly.

4. Air filter

The ice maker air filter prevents dust in the air from clogging the condenser. An air filter blockage will reduce the ice making capacity

Remove and clean air filter at least twice a month.

1) Remove the air filter.

Note: Do not put hands into the interior of machine.

2) Clean air filter with vacuum cleaner. If serious blockage of air filter occurs, clean the filter with neutral detergent and warm water.

3) Wash and dry air filter, then re-install to the correct location.

5. Ice maker's water system

In order to keep the ice machine clean, we recommend regular cleaning of ice maker's water system, although this machine has automatic cleaning function.

We recommend the ice machine is fully cleaned and serviced by a professional refrigeration engineer at least once a year dependant on useage. This is in addition to the user cleaning the unit and filter.

PART V

BEFORE CALL FOR SERVICE

Trouble shooting: If a problem arises during operation of your machine, please follow the table below before calling service.

Symptom	Possible Cause	Suggested Correction
Ice maker does not run	No electrical power or Fuse is blown	Replace the fuse & Turn switch to ON position
	Switch on OFF position	Turn switch to ON position, ensure "ice making" indicator light is on
Ice maker turns off	Safety limited action, make the machine stop running.	Restart the switch after inspection of the electrical circuit.
Doesn't make ice or make ice slowly	Dirty ice maker	Clean and disinfect the ice maker
	Locate out of horizontal leveled position	Locate ice maker in a horizontal leveled position
	Low ambient temperature	The ambient temperature cannot be lower than 7°C
	Dirty filter	Clean or replace the filter as necessary
"Power" indicator flashing (No water inlet)	Water valve is closed	Open water valve
Ice dropping failed	Ice dropping float ball switch is blocked	Make sure the float ball switch is at correct position
"Ice full" indicator flashing	Condenser sensor error	Replace the condenser sensor
"Ice making" indicator flashing	Evaporator sensor error	Replace the evaporator sensor
Ice cube quality is poor	Dirty water supply	Contact qualified service agent for water quality checking
	Dirty water filter	Change the filter
	Dirty ice maker	Clean and disinfect the ice maker
	Drain water valve or pipe error	Repair water drain valve or pipe

Ice is thin, or makes deformed ice on the evaporation	Dirty water filter	Replace the filter
	Water spray & flow board dirty & blockage	Clean water spray & flow board
	Ice machine is not level	Locate ice maker in a horizontal leveled position.
	Water loss from water sink	Check status of water drain valve to see if it is leaking.
Decreased Ice capacity	Dirty water filter	Change the filter
	Dirty condenser	Clean the condenser
	High Ambient temperature	The ambient temperature cannot be over 40°C
	Insufficient space around ice maker	Ensure enough space for ice maker
	Too much debris around ice maker	Clear the area around ice maker

Note : Safety protection is set in ice maker, please restart ice maker when there is an error. If error is not solved, please contact authorized agent or repair service.

Interlevin Refrigeration Ltd

West Meadow Rise

Castle Donington

Derby

DE74 2HL

UK

Sales: 01332 850090

Spares: 01332 850190

Service 01332 850064

Email: trade.sales@interlevin.co.uk

Web: www.interlevin.co.uk on