

# HOOD TYPE DISHWASHERS AM SERIES

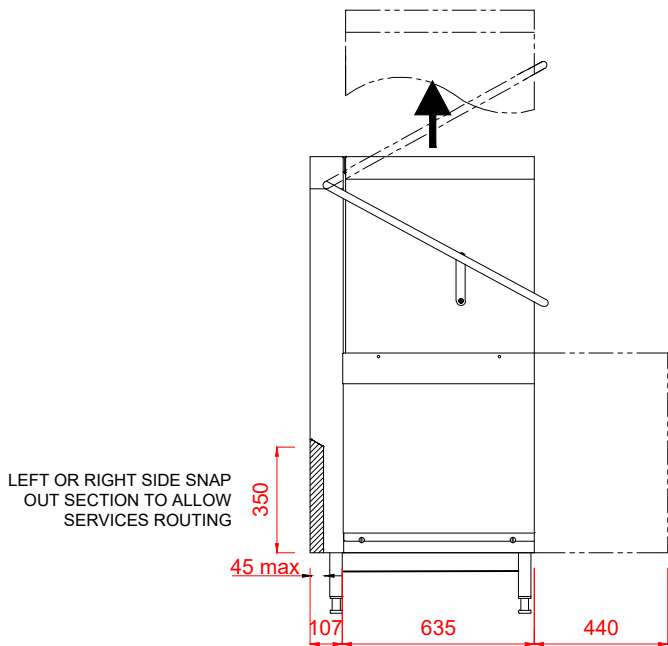
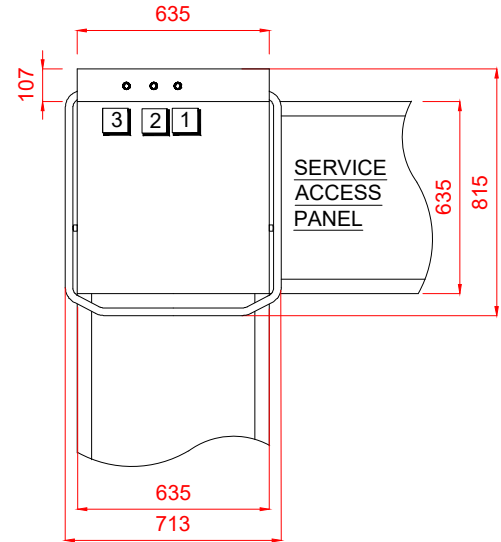


**HOBART UK,**  
SOUTHGATE WAY,  
ORTON SOUTHGATE,  
PETERBOROUGH.  
PE2 6GN  
0844 888 7777

www.hobartuk.com

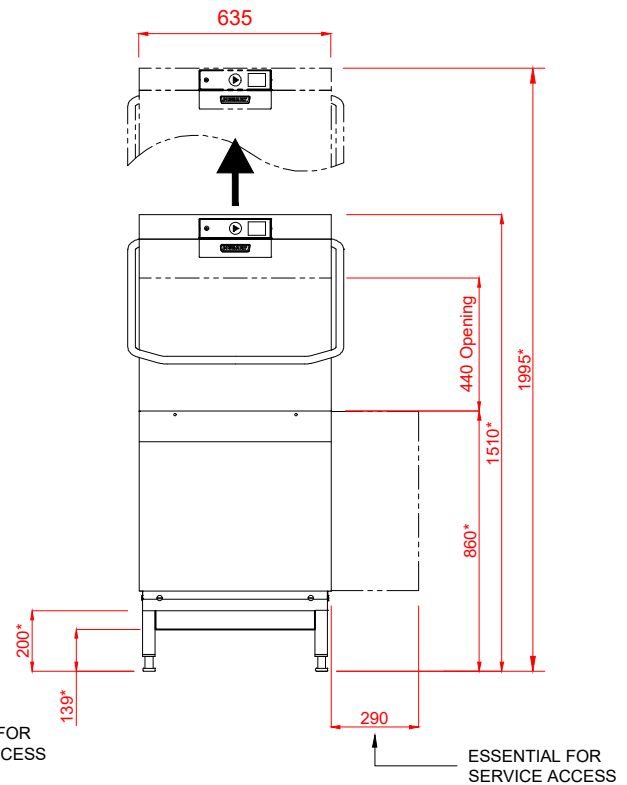
## Hood Type Dishwasher With Drain Heat Recovery Unit

**AMXR-10B**



LEFT OR RIGHT SIDE SNAP  
OUT SECTION TO ALLOW  
SERVICES ROUTING

ESSENTIAL FOR  
SERVICE ACCESS



ESSENTIAL FOR  
SERVICE ACCESS

### 1 Water

22mm CONNECTION VIA 2 METRE FLEXIBLE HOSE,  
FEMALE TERMINATION.

WATER SUPPLY **MAX 15°C** (2° TO 8° CLARK MAX)  
@ **0.8 TO 10.0 BAR** MAX. INITIAL TANK FILL 23 LITRES.

RINSE WATER USAGE 2.0 LITRES PER CYCLE.  
MAX USAGE 120 LITRES PER HOUR.

OUR MACHINES ARE SUPPLIED WITH CLASS 'AB' AIR  
GAP AS STANDARD.

### 2 Drain

DRAIN - 2 METER FLEXIBLE HOSE TO A 40mm  
TRAPPED STANDPIPE UP TO 750mm MAX A.F.F.L.

FLOW RATE 30 LITRES PER MINUTE.  
DRAIN RATE TYPICALLY 3 MINUTES.

### Other Services

RINSE AGENT HOSE - 2.5 METRE FLEXIBLE.  
DETERGENT HOSE - 2.5 METRE FLEXIBLE.

### 3 Electric

**7.1kW** 400/50/3 + N + E FUSED AT **16amps** / PHASE.  
MACHINE SUPPLIED WITH 2.5 METRES OF CABLE  
(3 PHASE).

**CONFIGURABLE TO:**  
**5.0kW** 230/50/1 FUSED AT **25amps**

### Notes

Approx Weights: EMPTY: 110kg WITH WATER: 130kg  
Min distance to Wall to Inside of tabling boxed edge 154.5mm.  
**HEIGHTS MARKED \* REPRESENT ±20mm.**

**PLOT SCALE: 1:25**

RIGHT TO MAKE NECESSARY CHANGES IS RESERVED