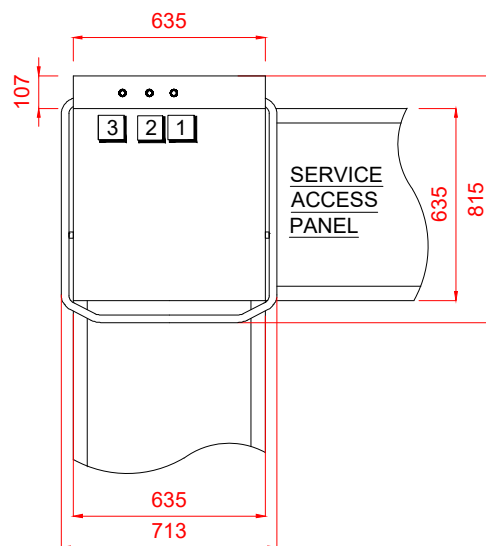
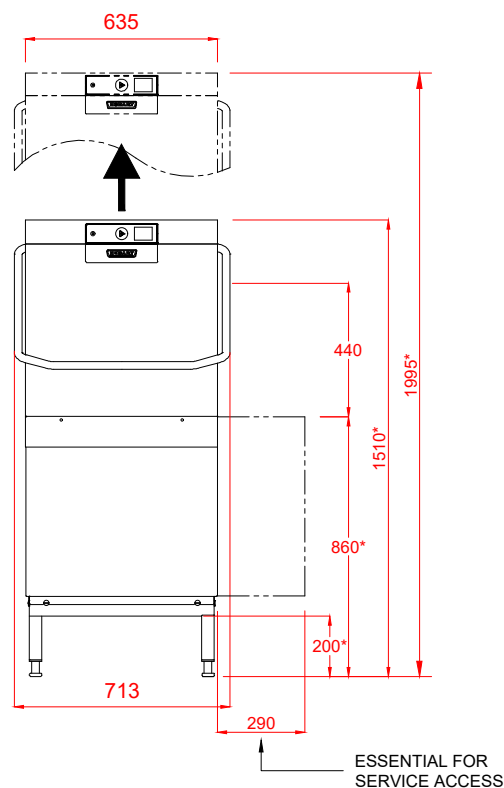
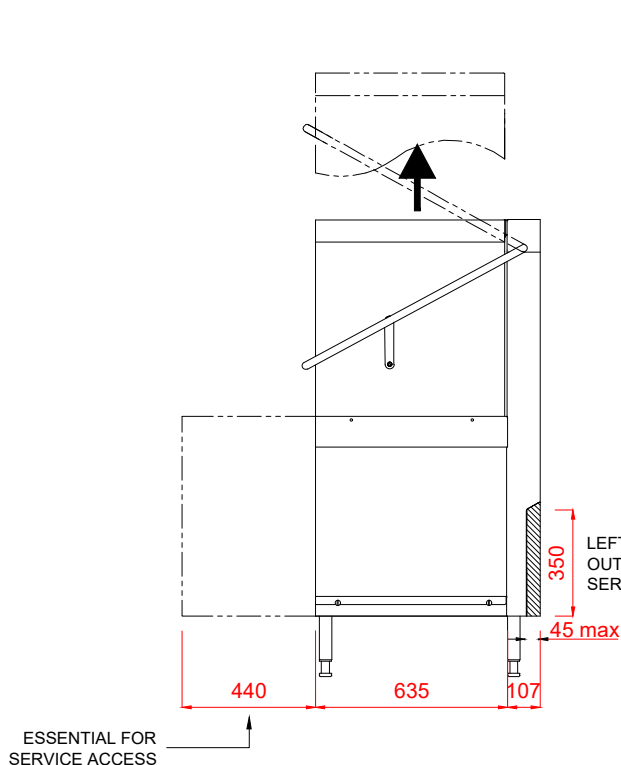


Hood Type Pass Through Dishwasher

AMX-10B



|   |  |   |
|---|--|---|
| <p><b>1 Water</b></p> <p>22mm CONNECTION VIA 2 METRE FLEXIBLE HOSE, FEMALE TERMINATION.</p> <p>WATER SUPPLY 60°C (2° TO 8° CLARK MAX) @ 0.8 TO 10.0 BAR MAX. INITIAL TANK FILL 23 LITRES.</p> <p>RINSE WATER USAGE 2.0 LITRES PER CYCLE. MAX USAGE 120 LITRES PER HOUR.</p> <p>OUR MACHINES ARE SUPPLIED WITH CLASS 'AB' AIR GAP AS STANDARD.</p> | <p><b>2 Drain</b></p> <p>DRAIN - 2 METER FLEXIBLE HOSE TO A 40mm TRAPPED STANDPIPE UP TO 750mm MAX A.F.F.L.</p> <p>FLOW RATE 30 LITRES PER MINUTE. DRAIN RATE TYPICALLY 3 MINUTES.</p> <p><b>Other Services</b></p> <p>RINSE AGENT HOSE - 2.5 METRE FLEXIBLE. DETERGENT HOSE - 2.5 METRE FLEXIBLE.</p> | <p><b>3 Electric</b></p> <p>7.1kW 400/50/3 + N + E FUSED AT 16amps / PHASE. MACHINE SUPPLIED WITH 2.5 METRES OF CABLE (3 PHASE).</p> <p><b>CONFIGURABLE TO:</b><br/>5.0kW 230/50/1 FUSED AT 25amps</p> <p><b>Notes</b></p> <p>Approx Weights: EMPTY: 110kg WITH WATER: 130kg<br/>Min distance to Wall to Inside of tabling boxed edge 154.5mm.<br/><b>HEIGHTS MARKED * REPRESENT ±20mm.</b></p> |
|---|--|---|