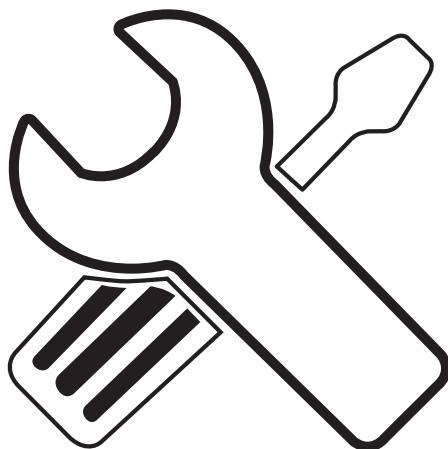
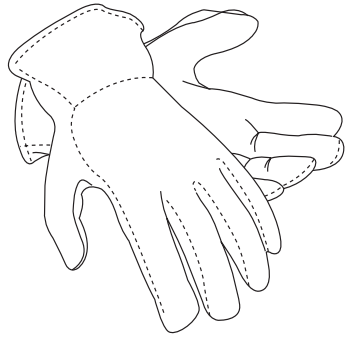
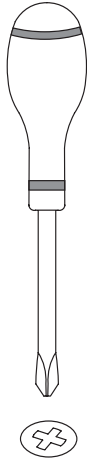
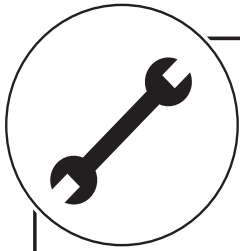


OPEN SUPPORT / NEUTRAL CUPBOARD
ELECTRIC- GAS OVENS
Mod. 6 - 10 GN 1/1

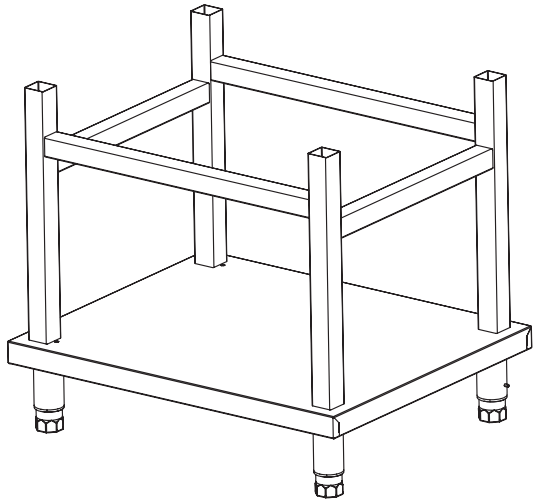


Cod. **595403301**

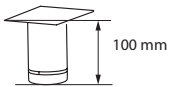
Ed. 05.2019

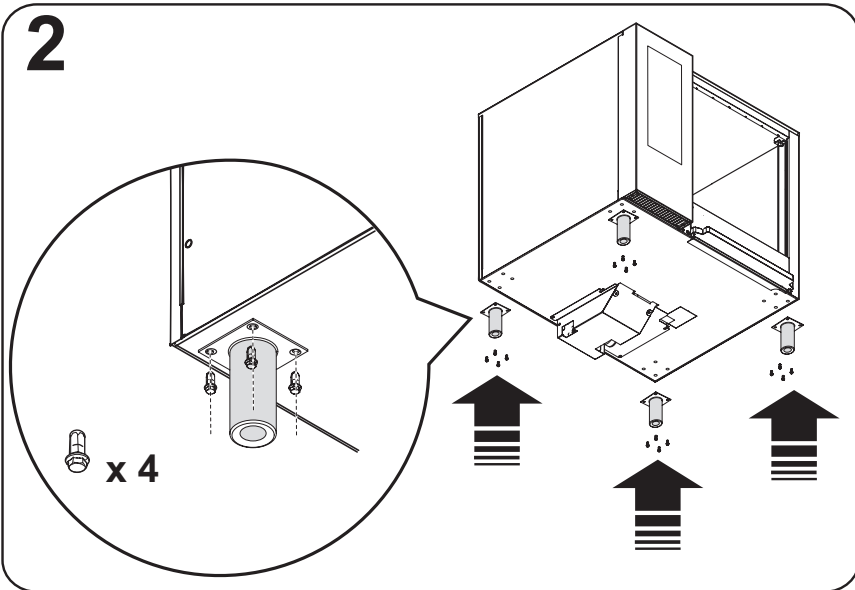
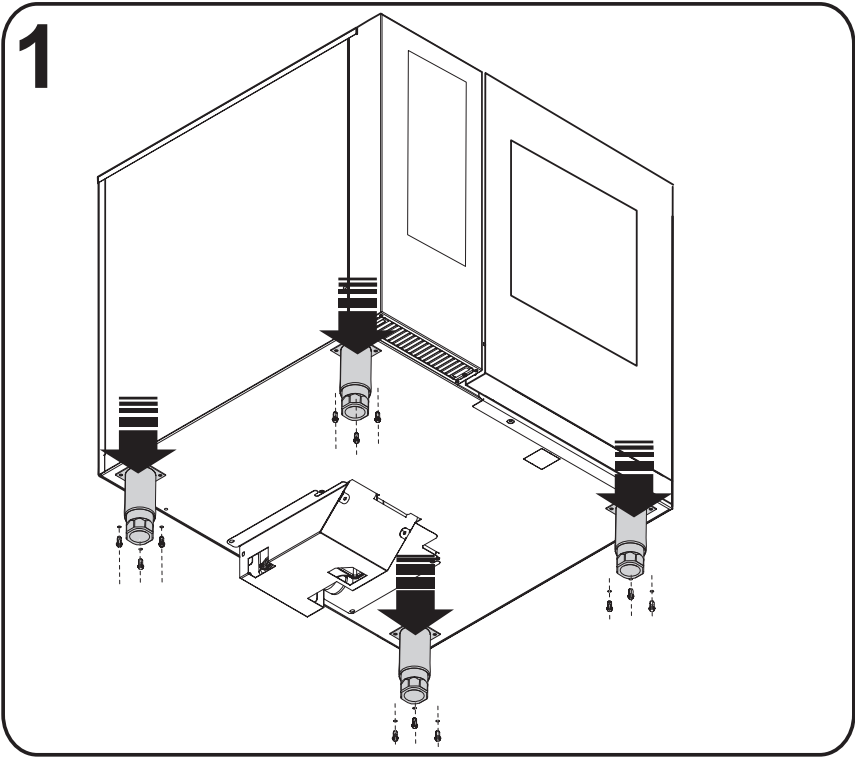


OPEN SUPPORT

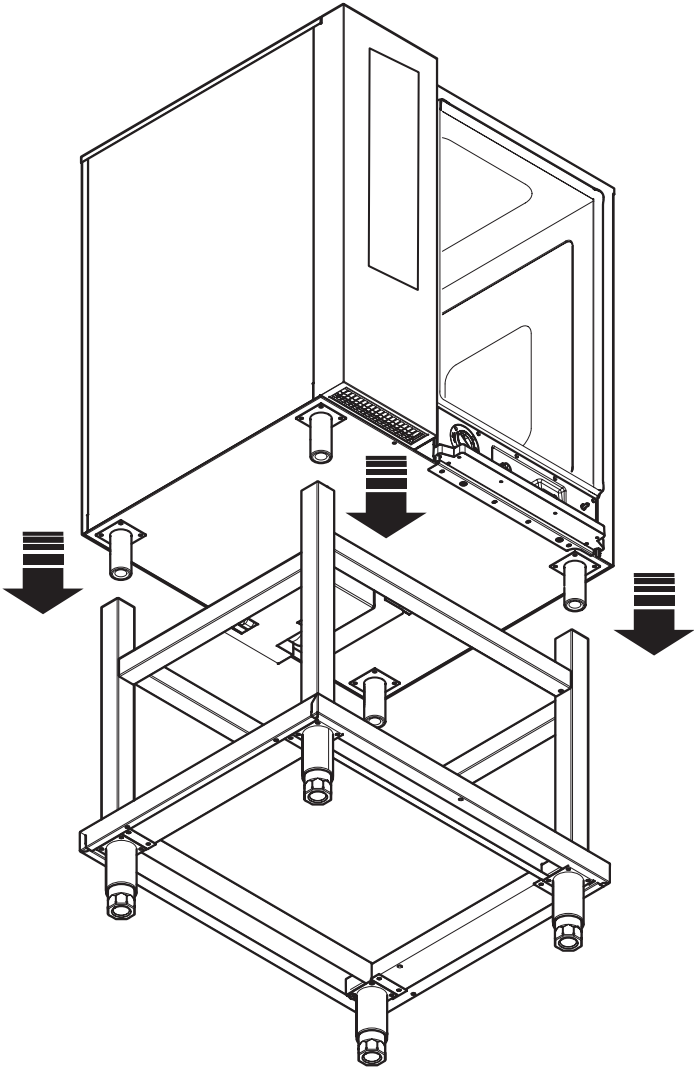


x 4

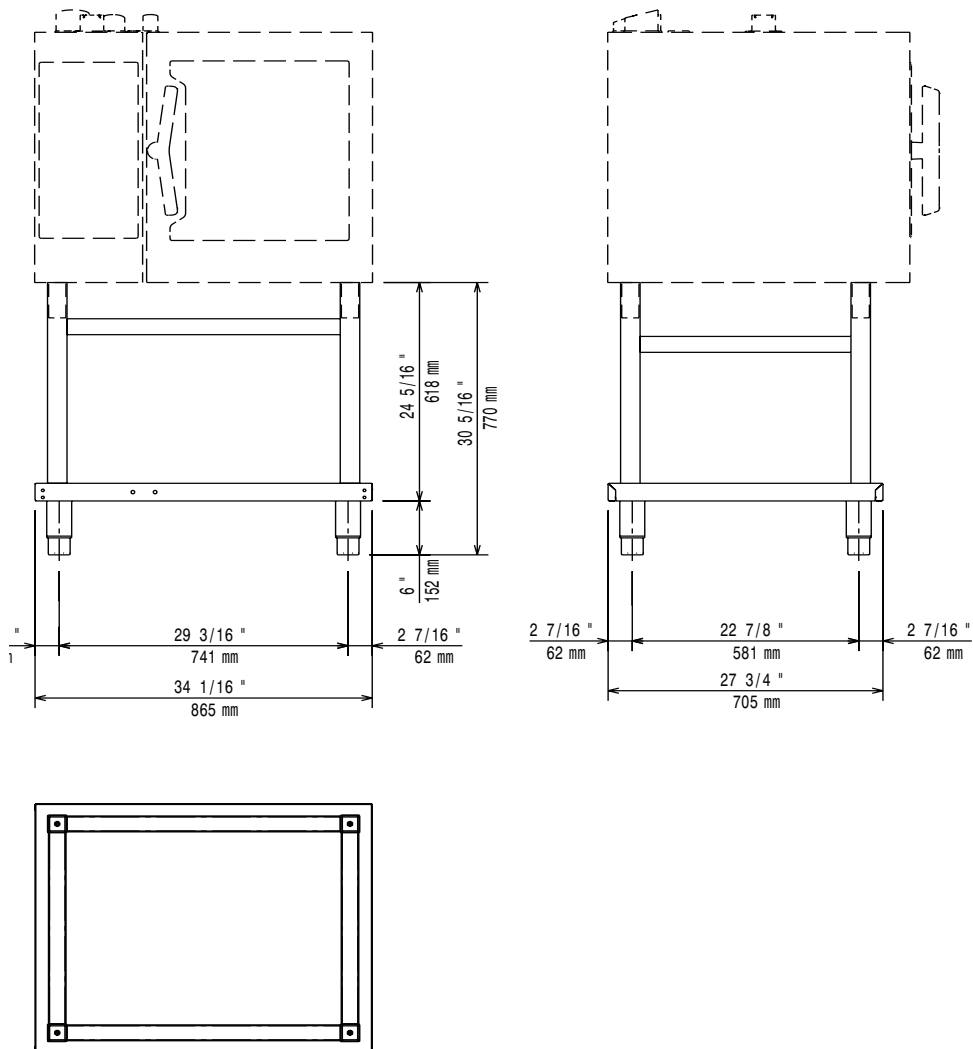


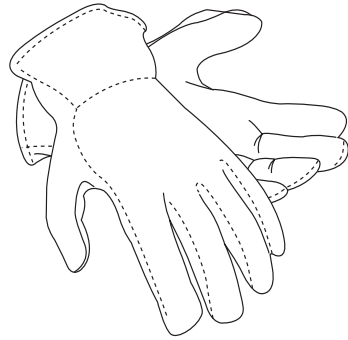
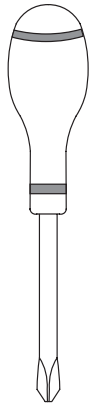
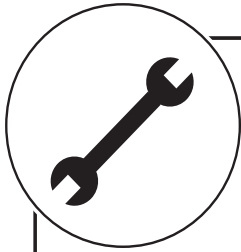


3



INSTALLATION DIAGRAM



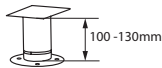


NEUTRAL CUPBOARD

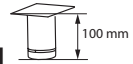


Marine version

x 4



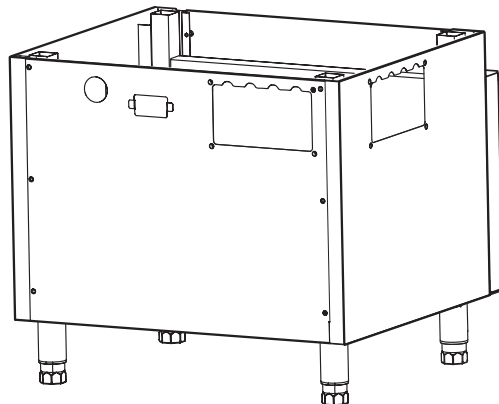
x 4



x 1



x 1

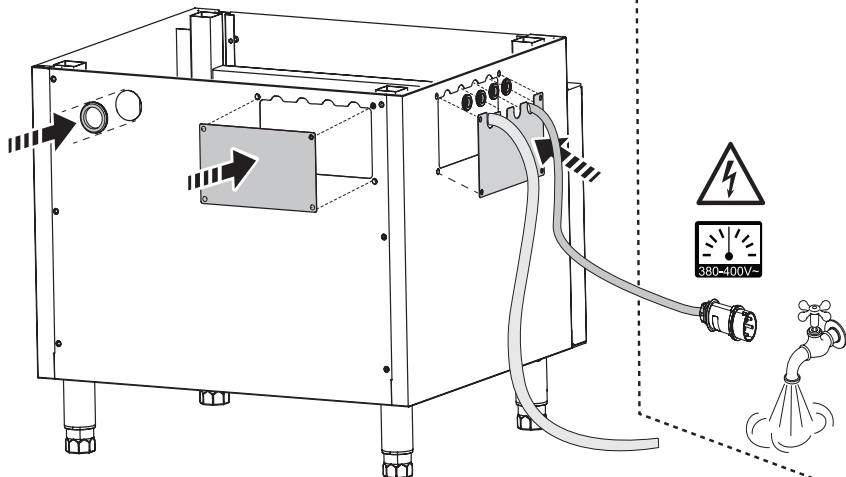


x 4

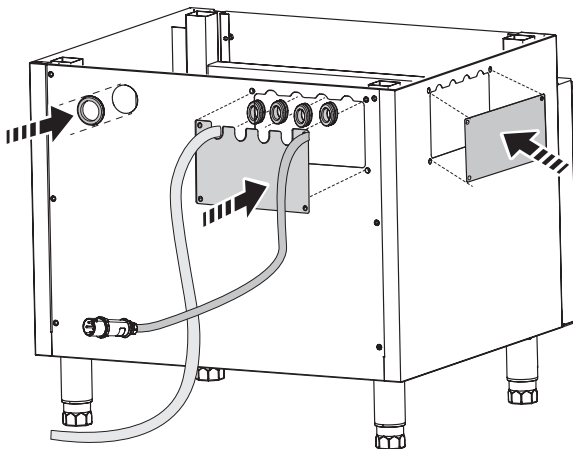
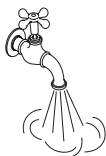


x 1

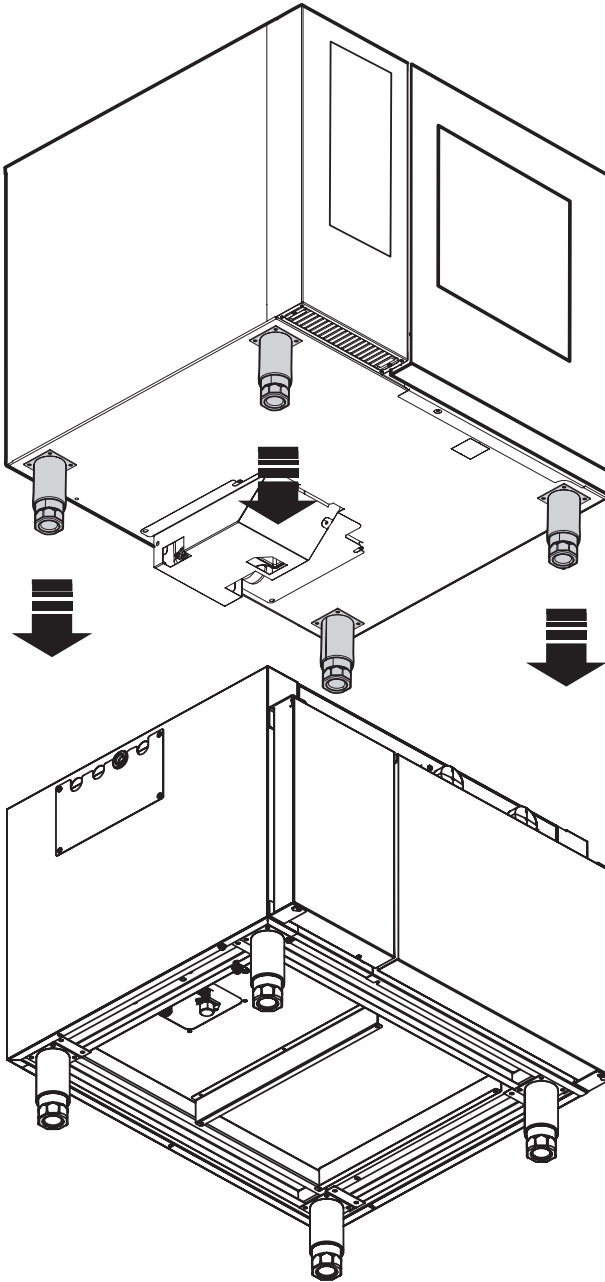
1



2



3



INSTALLATION DIAGRAM

