

ecostore Premium 2 Door Digital Freezer, 1430lt (-22/-15) R290 Class C - UK Plug

ITEM # _____

MODEL # _____

NAME # _____

SIS # _____

AIA # _____


725504 (ESPI42FFCG)

2-door Freezer 1430lt, with wheels, -22-15°C (R290), digital, AISI 304, Class C - UK plug

Short Form Specification

Item No.

Two full door freezer entirely constructed in 304 AISI stainless steel with bottom panel in anti-corrosive material. Large digital white-digit display with cabinet temperature display and setting. HACCP-compliant control with alarms and history. Frost Watch Control to defrost only when required with automatic evaporation of defrost water. Optiflow: back to front forced air flow and removable air conveyors provides even temperature distribution and fast cooling in any conditions. Fitted with 75 mm-thick cyclopentane insulating foam. Door features lock and door microswitch to switch off the fan when the door is opened. Hidden evaporator to guarantee higher storage capacity and less corrosion problems. Built-in refrigeration unit; ventilated operation; Internal LED light. CFC and HCFC free. R290 gas in refrigeration circuit. Supplied with n. 8x2/1GN Rilsan coated grids and n. 8 sets of 2 stainless steel grid runners. Mounted on wheels and equipped with UK plug.

Main Features

- Freezer model has operating temperatures that can be adjusted from -22 to -15 °C.
 - Performance guaranteed at ambient temperatures of +40°C (Climatic class 5).
 - Cabinet fitted with up to 75 mm thickness of cyclopentane insulation for best insulating performance with 100% environmental protection (thermal conductivity: 0,020 W/m*K).
 - 60 mm-thick insulation covering the evaporator can be easily removed with a single operation.
 - Large digital white-digit display with cabinet temperature display and setting, activation of turbo frost cycle (to rapidly cool warm loads) and possibility to activate manually the defrost cycle.
 - Digital control panel allowing the easy and precise setting and control of the internal temperature.
 - Optiflow: back to front forced air flow and removable air conveyors provide even temperature distribution and fast cooling in any conditions.
 - Electrolux Professional Fridge Control APP make the life easier for our customers (available from April 2024):
 - Monitor safety of preservation process thanks to HACCP data & alarms for precise control
 - Save time and easy data management having the possibility to send the HACCP information in excel format directly to e-mail address
 - Quick operations: set the cabinet temperature/turbocooling and set date/hour
 - Easy serviceability thanks to the intuitive control panel with access via app.
 - Fully compliant HACCP digital control: when temperature exceeds critical limits, acoustic and visual alarms are activated. Up to 30 days of event are kept in memory.
 - Connectivity ready for real time access to connected appliances from remote and data monitoring (requires optional accessory).
 - Integrated RS485 port to facilitate connection to a remote computer and integrated HACCP systems.
 - Large storage area suitable to contain 2/1 GN grids or shelves on anti-tilt runners.
 - Rilsan coated grids for improved protection.
 - Tropicalized unit.
- ### Construction
- Constructed from the highest quality AISI 304 Stainless steel.
 - Interior base with rounded corners, pressed from a single sheet.
 - The rounded internal corners, the easily removable runners, grids and air conveyors allow for ease of cleaning and high hygiene standards.
 - Anti-corrosion bottom avoids any damage that may be caused to the cabinet by aggressive detergents employed to clean the floors.
 - Easy access to the main components for maintenance.
 - Lockable door.
 - Mounted on wheels.

APPROVAL: _____

- Delivered with UK plug.

Sustainability

- Frost Watch Control: fully automatic defrost starts only when ice is actually building-up in the evaporator and adapt the defrosting duration to guarantee perfect ice removal while optimizing energy efficiency consumption.
- Automatic evaporation of the defrosting water by hot gas on the top for energy saving.
- CFC and HCFC-free insulation.
- CFC and HCFC free, highly ecological refrigerant type: R290 (ecological gas in foam: cyclopentane). Hydrocarbon refrigerant gas R290 for the lowest environmental impact (GWP=3), to reduce green house and ozone depletion effects.
- Door switch stops the fan when door is opened to avoid cold air exiting the cell, thus saving energy.
- Removable triple-chamber balloon magnetic gasket to improve insulation and reduce energy consumption and ease of cleaning.
- Interior LED light to save energy and for best internal visibility.

- IOT module for refrigerated cabinets and counters PNC 881298
- POE switch PNC 922432

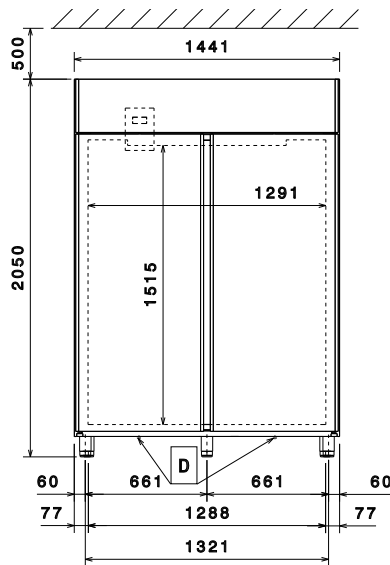
Included Accessories

- 8 of 2/1GN grey rilsan grid with 2 runners PNC 881020
- 1 of 5 swivelling wheels (2 with brake), diam 125mm, for 1430 lt refrigerators, NOT for remote models PNC 881294

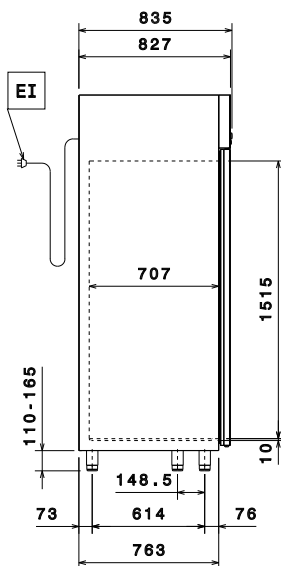
Optional Accessories

- 2 stainless steel runners for refrigerated cabinets - (Marine) PNC 880242
- Set of 8 GN1/1 PVC containers for fish PNC 880243
- Spacer for 670 lt and 1430 lt refrigerated cabinets PNC 880248
- Kit 20 pair runners and tray supports to fit pastry trays (400x600mm) PNC 880333
- Kit of 6 swivelling wheels, 2 with brake, diam 50 mm PNC 880340
- 1/1GN plastic container with false bottom PNC 880705
- 2/1GN grey rilsan grid PNC 881004
- 2/1GN aisi 304 stainless steel grid PNC 881016
- 2/1GN 304 AISI stainless steel grid with 2 runners PNC 881018
- 2/1GN grey rilsan grid with 2 runners PNC 881020
- Set of 2 stainless steel runners for 670/1430lt refrigerators and freezers PNC 881021
- Pedal opening for 1430lt refrigerator PNC 881033
- 2/1GN pvc container with lid and 2 runners PNC 881039
- 2/1GN perforated shelf PNC 881042
- 1/1GN rilsan steel wire basket h=150mm PNC 881043
- 3 grey rilsan central grids for 1430lt (not for glass door) PNC 881044
- 2/1GN grey rilsan basket+2 runners h=150mm PNC 881047
- 5 swivelling wheels (2 with brake), diam 125mm, for 1430 lt refrigerators, NOT for remote models PNC 881294

Front

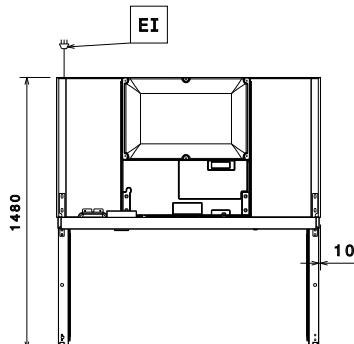


Side



EI = Electrical inlet (power)

Top



Electric

| | | |
|------------------------|---------------------|----------------------|
| Supply voltage: | 725504 (ESPI42FFCG) | 220-240 V/1 ph/50 Hz |
| Electrical power max.: | | 0.7 kW |

Key Information:

| | |
|---|----------------|
| Gross capacity: | 1430 lt |
| Net Volume: | 1160 lt |
| Door hinges: | 2 Left+2 Right |
| External dimensions, Width: | 1441 mm |
| External dimensions, Depth: | 835 mm |
| External dimensions, Depth with Doors Open: | 1480 mm |
| External dimensions, Height: | 2050 mm |
| Number and type of doors: | 4x1/2 Full |
| Number and type of grids (included): | 8 - GN 2/1 |
| Type of external material: | 304 AISI |
| Type of internal material: | 304 AISI |
| Internal panels material: | 304 AISI |
| Number of positions & pitch: | 44; 30 mm |

Refrigeration Data

| | |
|---|------------|
| Control type: | Digital |
| Refrigeration power at evaporation temperature: | -30 °C |
| Operating temperature min.: | -22 °C |
| Operating temperature max.: | -15 °C |
| Operating mode: | Ventilated |

Product Information (EU Regulation 2015/1094)

| | |
|------------------------------------|-----------------|
| Type of model (EU Reg. 2015/1094): | vertical frozen |
|------------------------------------|-----------------|

ISO Certificates

| | |
|----------------|---|
| ISO Standards: | ISO 9001; ISO 14001; ISO 45001; ISO 50001 |
|----------------|---|

Sustainability

| | |
|--|---|
| Energy Class (EU Reg. 2015/1094): | C |
| Yearly and daily energy consumption (EU Reg. 2015/1094): | 3500kWh/year - ISO 9001; ISO 14001kWh/24h |
| Climate class (EU Reg. 2015/1094): | Heavy Duty (5) |
| Energy Efficiency Index-EEI (EU Reg. 2015/1094): | 48.69 |
| Refrigerant type: | R290 |
| GWP Index: | 3 |
| Refrigeration power: | 833 W |

EU energy labelling from 1st July 2016

The European energy labelling scheme for professional refrigerators and freezers is based on requirements setting Minimum Energy Performance standards for commercial refrigeration cabinets sold within the EU.

These requirements are designed to drive energy efficiency and environmentally friendly approach for professionals. The European energy labelling scheme will apply to all manufacturers and importers who sell and market products within the EU and it is mandatory across Europe. Important: all products which consume energy above the minimum level will not be able to be sold within the EU from 1 July 2016.

SI 2020 No. 1528.

Important: all products which consume energy above the minimum level will not be able to be sold within the EU from 1 July 2016.

