

Vegetable Slicer Potato Chipper with automatic hopper

ITEM # _____

MODEL # _____

NAME # _____

SIS # _____

AIA # _____


601151 (RC143)

 Potato Chipper with
 automatic hopper -
 230-400V/3/50
 Potato Chipper with
 automatic hopper -
 230V/1/50

601229 (RC14)

 POTATO CHIPPER+
 AUTOMATIC HOPPER
 230/1/50

Short Form Specification

Item No. _____

Body and drum in corrosion resistant material. Automatic hopper and cutter block in stainless steel. Easily removable drum and block. Hopper incorporates a safety plate which allows only the potatoes to pass through and not the operator's hand. The machine will immediately stop if the hopper is opened during operation or if the cutter block is not properly fitted.

Main Features

- Chipping block for french fries, with different cross section sizes (8x8,10x10,12x12 & 14x14 mm).
- Table top model, stainless steel mobile stand available as accessory.
- Drum and block are easy to remove
- Safety device incorporated in the hopper, allowing only the potatoes to pass through.
- Immediate arrest of the machine in case of hopper opening or incorrect fitting of the cutter block during operation.
- Productivity is around 1500 kg/h for cross section 12x12 mm.
- Maximum diameter of potatoes 8cm.

Construction

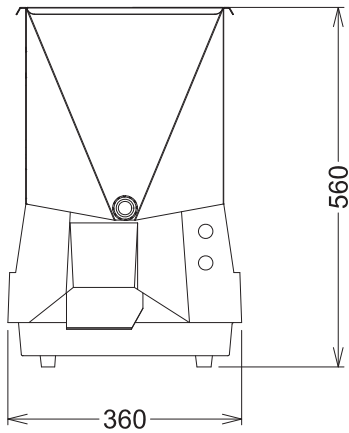
- Body and drum in corrosion resistant material.
- Automatic hopper and cutter block made in stainless steel.

Optional Accessories

- Stainless steel mobile stand. PNC 653017
Height: 730 mm
- 14 mm chipping block for potato chipper PNC 653018
- 8 mm chipping block for potato chipper PNC 653022
- 10 mm chipping block for potato chipper PNC 653023
- 12 mm chipping block for potato chipper PNC 653024
- 4mm cutting block for potato chipper PNC 653503
- 6 mm cutting block for potato chipper PNC 653504
- 8 mm cutting block for potato chipper PNC 653505

APPROVAL: _____

Front


Electric
Supply voltage:

601151 (RC143)

230/400 V/3 ph/50 Hz

601229 (RC14)

220-240 V/1N ph/50 Hz

Capacity:
Potatoes slicing capacity: 1500 kg

Chip cutting capacity: 1500 kg

Performance (up to):

601151 (RC143)

1500 kg/hour

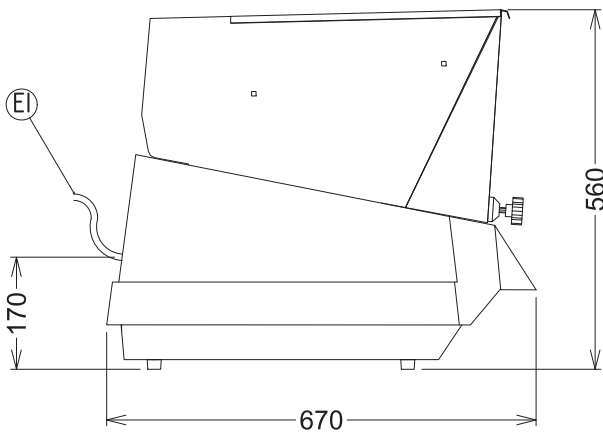
Key Information:
External dimensions, Width: 360 mm

External dimensions, Depth: 670 mm

External dimensions, Height: 560 mm

Shipping weight: 45 kg

Side



EI = Electrical inlet (power)

Top

