

LiberoPro

Flat Induction 1 Phase, double zone, drop in - UK Plug

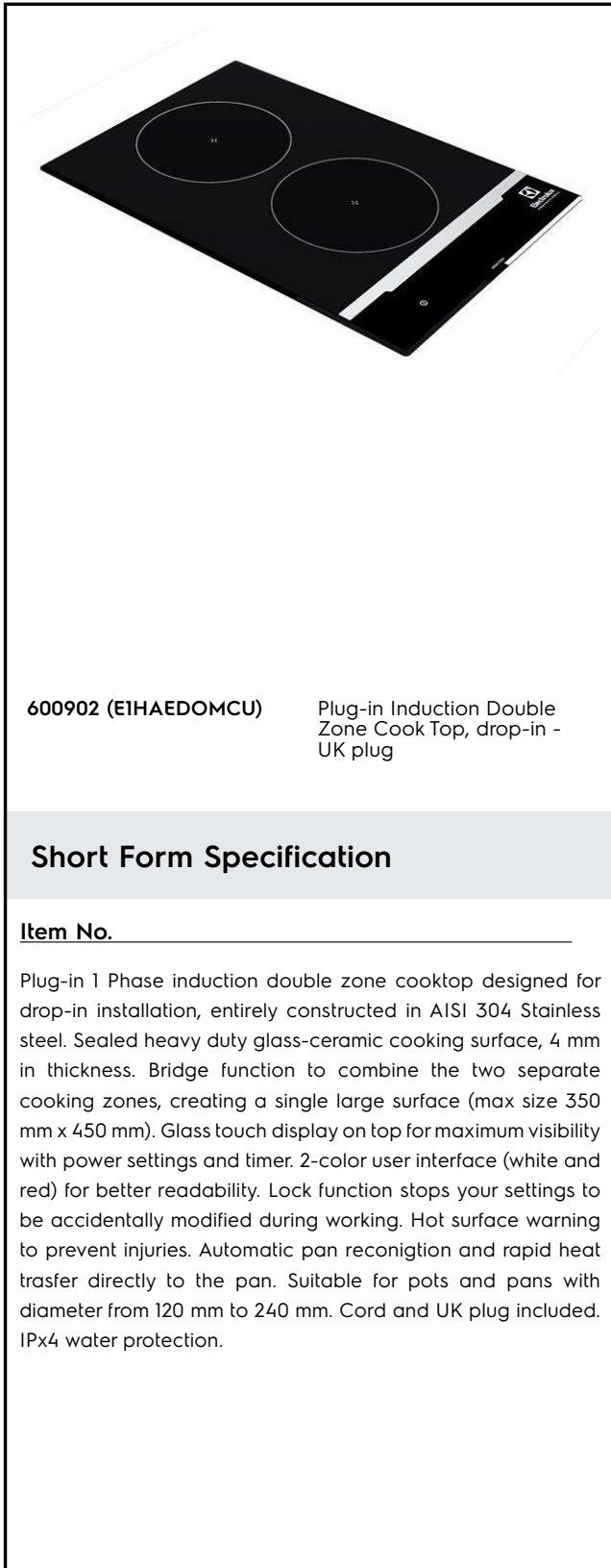
ITEM # _____

MODEL # _____

NAME # _____

SIS # _____

AIA # _____



600902 (EIHAEDOMCU) Plug-in Induction Double Zone Cook Top, drop-in - UK plug

Short Form Specification

Item No. _____

Plug-in 1 Phase induction double zone cooktop designed for drop-in installation, entirely constructed in AISI 304 Stainless steel. Sealed heavy duty glass-ceramic cooking surface, 4 mm in thickness. Bridge function to combine the two separate cooking zones, creating a single large surface (max size 350 mm x 450 mm). Glass touch display on top for maximum visibility with power settings and timer. 2-color user interface (white and red) for better readability. Lock function stops your settings to be accidentally modified during working. Hot surface warning to prevent injuries. Automatic pan recognition and rapid heat transfer directly to the pan. Suitable for pots and pans with diameter from 120 mm to 240 mm. Cord and UK plug included. IPx4 water protection.

Main Features

- Plug in unit designed for drop in installations.
- Sealed heavy duty glass-ceramic cooking surface, 4 mm in thickness.
- 2-color user interface (white and red) for better readability.
- Rapid heat transfer directly to the pan, no heat is dispersed into the environment.
- Automatic pan detection to transfer power only when pan is present.
- Glass touch display on top for maximum visibility.
- Power level settings from 1 to 10.
- Timer function can be used to set the cooking time, switching off the zone automatically at the end of the time set.
- 2 independently controlled cooking zone.
- BRIDGE FUNCTION allows to combine the two separate cooking zones to create a single large surface suitable for rectangular pan of max dimensions of 350x450mm.
- Suitable for pots and pans with diameter from 120 mm to 240 mm for each cooking zone.
- Maximum usable power: 3.5 kW. The user interface shows the power level selectable on each cooking zone according to the power used.
- Self-diagnostics: an error code is displayed (Exxx) in case of dysfunction.

Construction

- Heavy duty AISI 304 Stainless steel construction.
- Cord and plug included.
- IPx4 water protection.

Sustainability



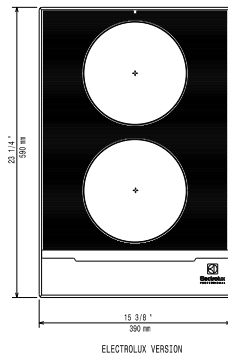
- This model is compliant with Swiss Energy Efficiency Ordinance (730.02).

Optional Accessories

- Kit ventilation including air conveyor for Drop-in functions PNC 650146
- Kit fixation including sponge gasket and kit assembly for Drop-in functions PNC 650147
- Stainless steel universal frying pan with stainless steel handle (diam. 200mm) suitable for induction and all other heating sources PNC 653596
- Universal frying pan with stainless steel handle (diam. 240mm) suitable for induction and all other heating sources PNC 653597
- Universal frying pan with ribbed plate suitable for induction cookers PNC 653618

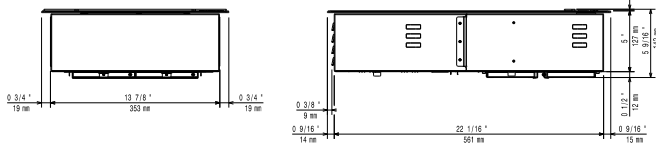
APPROVAL: _____

Top

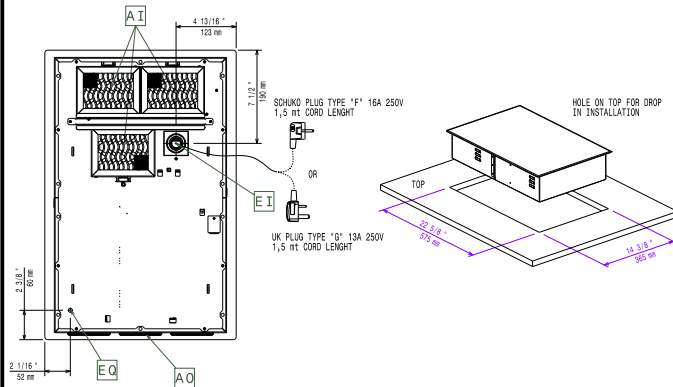


ELECTROLUX VERSION

Side


 EI = Electrical inlet (power)
 EO = Electrical Outlet

Other



Electric

| | | |
|----------------------------------------|---------------------|--------------------------|
| Supply voltage: | 600902 (E1HAEDOMCU) | 220-240 V/1N ph/50-60 Hz |
| Front Plate Watts: | | 3 kW |
| Back Plate Watts: | | 3 kW |
| Plug type: | | UK-13A |
| Minimum Circuit Ampacity (MCA): | | 13A |

Key Information:

| | |
|-------------------------------------|---------|
| External dimensions, Width: | 392 mm |
| External dimensions, Depth: | 592 mm |
| External dimensions, Height: | 127 mm |
| Net weight: | 14.5 kg |