



Outperform every day.™

Project:

Item Number:

Quantity:

# INTERNATIONAL MIRAGE® 16" X 16" INDUCTION BUFFET WARMERS

INTERNATIONAL | Mirage® 16" x 16" Induction Buffet Warmers

The Vollrath Company, L.L.C.



## ITEMS

Item No.	Model No.	Description	Plug
595027502	5950275	Countertop, Black	Schuko
595027503			UK
595027504			China
595027505			Australia
595028002	5950280	Countertop, Natural	Schuko
595028003			UK
595028004			China
595028005			Australia
59502DW02	59502DW	Drop-in	Schuko
59502DW03			UK
59502DW04			China
59502DW05			Australia

## FEATURES

- Connect up to three warmers with the included interconnect cords. The center warmer must connect to the electrical outlet.
- Up to seven warmers (at maximum power) can be connected to a 10 amp circuit
- Storage compartment under warmer conveniently holds cords
- Touch controls
- Four power levels
- LED indicator lights on control panel and glass top
- Tempered ceramic glass top is strong, non-porous and easy to clean
- Low profile design focuses on the food and compliments any decor
- Drop-in warmers can be installed overhanging countertop or countersunk
- 6 ft. (183 cm) cord with plug
- 30 in. (76.2 cm) interconnect cord
- 5 ft. (152.4 cm) USB cable for remotely mounted control box for drop-in warmers

## DESCRIPTION

Maximize your menu offerings without maxing out your electrical capacity with the Mirage® 16" x 16" Induction Buffet Warmers. The low wattage warmers can be interconnected to one electrical outlet, which simplifies the planning and management of power cords, access to outlets and load capacity. Available in countertop and drop-in styles, these warmers are ideally suited for buffet and catering operations

These induction buffet warmers are designed to work with a maximum of one induction-ready chafer or serving vessel.

The Mirage® 16" x 16" Induction Buffet Warmers are equipped with a variety of safety features including:

- Over-heat protection
- Small-article detection
- Pan auto-detection function
- Empty-pan shut-off

## WARRANTY

All models shown come with Vollrath's standard warranty against defects in materials and workmanship. For full warranty details, please refer to [www.Vollrath.com](http://www.Vollrath.com).

## AGENCY CERTIFICATIONS



Due to continued product improvement, please consult [www.vollrath.com](http://www.vollrath.com) for current product specifications.

## ACCESSORIES

- 59145 Carrying Case
- 4644080 Non-Slip Mat - 9" x 8" (22.9 x 20.3 cm)
- 4644070 Non-Slip Mat - 16" x 8" (40.6 x 20.3 cm)

## IMPORTANT

- This appliance is intended for use with induction-ready serving vessels.
- Countertop models require a distance equal to the height of the feet of the warmer.
- Drop-in models require a minimum of 2" (5 cm) of space between all four sides of the induction warmer and any surrounding surface, and a minimum 12" (30.5 cm) between the bottom of the induction warmer and any surrounding surface.
- Control box for drop-in models requires a minimum of 4" (10 cm) behind the control box and any surrounding surface.
- All models require unrestricted intake and exhaust air ventilation for proper operation of the controls. The maximum intake temperature must not exceed 110°F (43°C). Temperatures are measured in ambient air while all appliances in the kitchen are in operation.

Approvals	Date

The Vollrath Company, L.L.C. Headquarters  
 1236 North 18th Street  
 Sheboygan, Wisconsin  
 53081-3201 USA  
 Main Tel: 800-624-2051 or 920-457-4851  
 Main Fax: 800-752-5620 or 920-459-6573  
 Canada Customer Service: 800-695-8560  
 Tech Services: [techservicereps@vollrathco.com](mailto:techservicereps@vollrathco.com)  
[www.vollrath.com](http://www.vollrath.com)

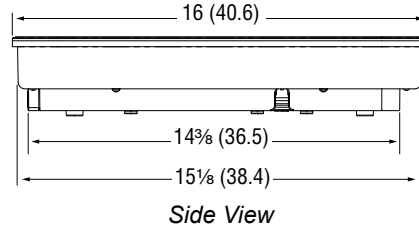
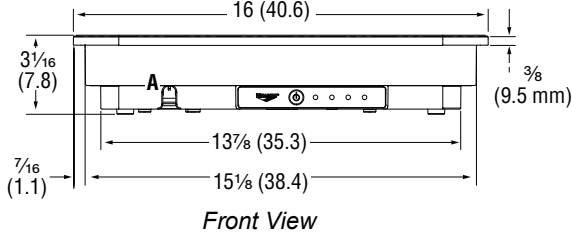
Vollrath Europe BV  
 Beneluxbaan 7  
 5121 AD RIJEN  
 The Netherlands  
 +31161870005

Vollrath of China  
 Vollrath Shanghai Trading Limited  
 23A, Time Square Plaza | 500  
 Zhang Yang Road  
 Pudong, Shanghai 200122  
 Tel: 86-21-50589580

Vollrath de Mexico S. de R.L. de C.V.  
 Periferico Sur No. 7980 Edificio 4-E  
 Col. Santa Maria Tequepexpan  
 45600 Tlaquepaque, Jalisco | Mexico  
 Tel: (52) 333-133-6767  
 Tel: (52) 333-133-6769  
 Fax: (52) 333-133-6768

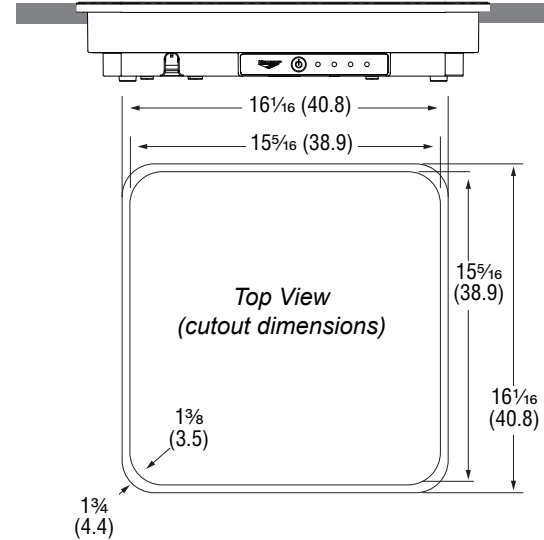
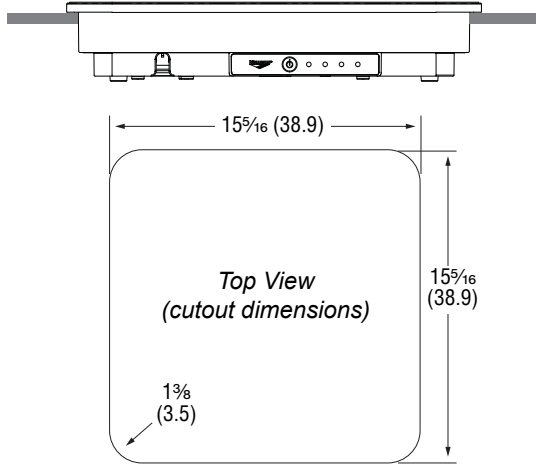
# INTERNATIONAL MIRAGE® 16" X 16" INDUCTION BUFFET WARMERS

## DIMENSIONS (Shown in inches (cm))

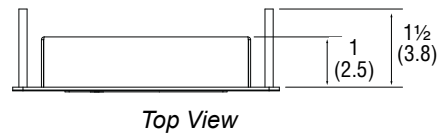
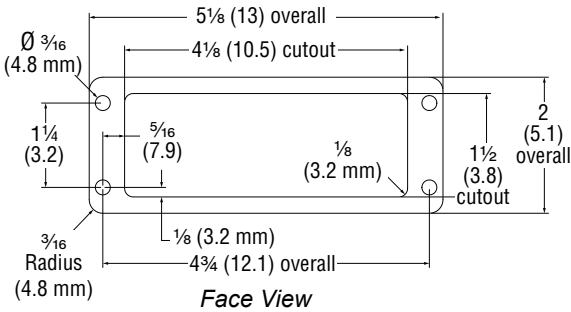


**Drop-in Model, Overhung Installation**

**Drop-in Model, Countersunk Installation**



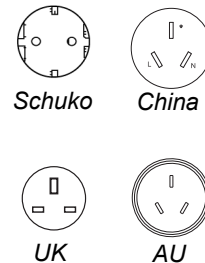
**Control Box (drop-in models only)**



## SPECIFICATIONS

Item No.	Description	Max Pan Size	Watts	Volts	Amps	Hz	Plug	Weight LB (KG)						
595027502	Countertop, Black	14 (35.6)	300	230	1.3	50/60	Schuko	14 (6.4)						
595027503							UK							
595027504							China							
595027505	Australia													
595028002	Schuko													
595028003	Countertop, Natural	14 (35.6)	300	230	1.3	50/60	UK	14 (6.4)						
595028004							China							
595028005							Australia							
59502DW02	Drop-in						14 (35.6)		300	230	1.3	50/60	Schuko	14 (6.4)
59502DW03													UK	
59502DW04		China												
59502DW05		Australia												

### Receptacles



The Vollrath Company, L.L.C. Headquarters  
 1236 North 18th Street  
 Sheboygan, Wisconsin  
 53081-3201 USA  
 Main Tel: 800-624-2051 or 920-457-4851  
 Main Fax: 800-752-5620 or 920-459-6573  
 Canada Customer Service: 800-695-8560  
 Tech Services: techservicereps@vollrathco.com  
 www.vollrath.com

Vollrath Europe BV  
 Beneluxbaan 7  
 5121 AD RIJEN  
 The Netherlands  
 +31161870005

Vollrath of China  
 Vollrath Shanghai Trading Limited  
 23A, Time Square Plaza | 500  
 Zhang Yang Road  
 Pudong, Shanghai 200122  
 Tel: 86-21-50589580

Vollrath de Mexico S. de R.L. de C.V.  
 Periferico Sur No. 7980 Edificio 4-E  
 Col. Santa Maria Tequepexpan  
 45600 Tlaquepaque, Jalisco | Mexico  
 Tel: (52) 333-133-6767  
 Tel: (52) 333-133-6769  
 Fax: (52) 333-133-6768