



Electrolux
PROFESSIONAL

Modular Cooking Range Line 700XP 6 Drawer Refrigerated Base

ITEM # _____

MODEL # _____

NAME # _____

SIS # _____

AIA # _____



371296 (E7TTBECOMKN)

Refrigerated base with 6 drawers, -2/+10° C, automatic evaporation of defrost condense - R290

Short Form Specification

Item No. _____

Refrigerated base with 6 drawers. Built-in refrigerator compressor unit. Operating temperature range from -2°C to 10° C. To be installed below 700XP top units. To be delivered with 50 mm height adjustable feet. Exterior panels in stainless steel with Scotch Brite finish. Suitable to operate with ambient temperature up to +43°C. Constructed to allow flush-fitting junction between units.

Main Features

- Unit can be easily installed below other 700 line top models.
- Adjustable temperature range from -2 °C to +10 °C to suit meat, fish and dairy storage requirements.
- Forced air circulation for rapid cooling and an even temperature distribution.
- Right angled side edges eliminate gaps and possible dirt traps between units.
- Defrosting and automatic evaporation of condense drain: the condense is automatically evaporated thanks to the electric resistance in the condense drain container.
- GN compliant.
- Designed for modular installation into the cooking block.

Construction

- Exterior panels in Stainless steel with Scotch Brite finish to meet the highest hygiene standards.
- Built-in compressor to suit operating conditions.
- Access to all components from the front.
- Unit delivered with 150 mm height adjustable feet in Stainless steel. Feet can be extended up to 250 mm.

Sustainability



- CFC and HCFC free (highly ecological refrigerant type: R290).

Optional Accessories

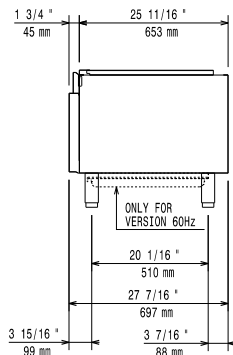
- Flanged feet kit PNC 206136
- Frontal kicking strip for concrete installation, 1600mm PNC 206152
- Frontal kicking strip, 1600mm (not for refr-freezer base) PNC 206179
- Kit 4 feet for concrete installation (not for 900 line free standing grill) PNC 206210
- 2 panels for service duct for single "top on base" installation PNC 206248
- Pair of side kicking strips PNC 206249
- Pair of side kicking strips for concrete installation PNC 206265
- 2 drawers for refrigerated base PNC 206351
- Kit 6 wheels - 3 swivelling with brake PNC 206432
- Kit to install refrigerated base on wheels (wheels to be ordered separately) PNC 206444
- 2 side covering panels for free standing appliances PNC 216000

APPROVAL: _____

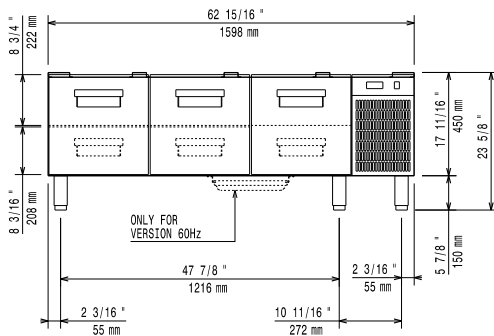


Experience the Excellence
www.electroluxprofessional.com

Front

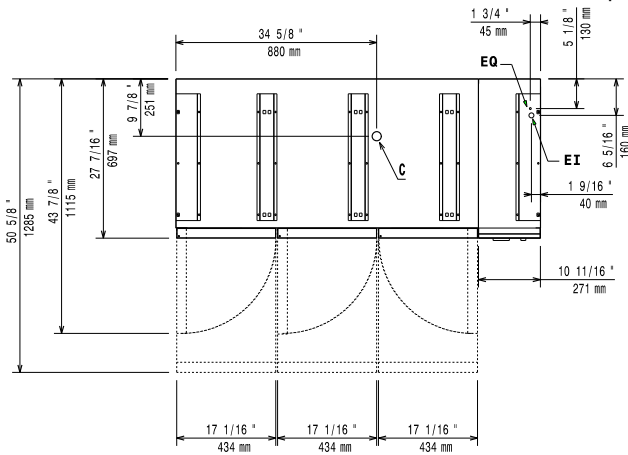


Side



D = Drain
EI = Electrical inlet (power)

Top



Electric

Supply voltage:

371296 (E7TTBECOMKN) 220-230 V/1N ph/50 Hz

Electrical power max.:

0.4 kW

Total Watts:

0.4 kW

Key Information:

Gross capacity:

180 lt

External dimensions, Width:

1600 mm

External dimensions, Depth:

700 mm

External dimensions, Height:

600 mm

Net weight:

110 kg

Shipping weight:

149 kg

Shipping height:

780 mm

Shipping width:

860 mm

Shipping depth:

1700 mm

Shipping volume:

1.14 m³

Sustainability

Refrigerant type:

R290

Refrigerant weight:

85 g