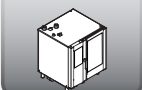


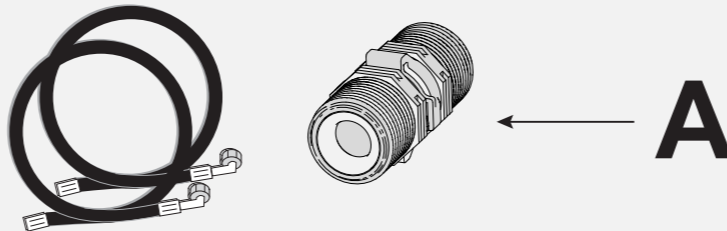
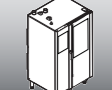
A - Included Components

1

6-10 GRIDS



20 GRIDS



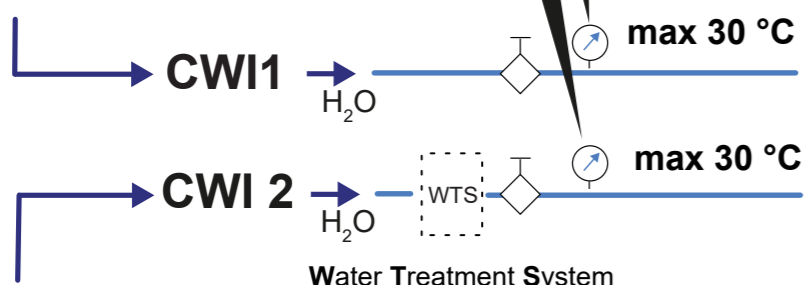
IMPORTANT: For compliance with UK Water Supply (Water Fittings) Regulations the installer technician must provide a WRAS approved double check valve for each water connection, or other device no less effective that provides back-flow protection of at least fluid category three.

B - H2O Connections

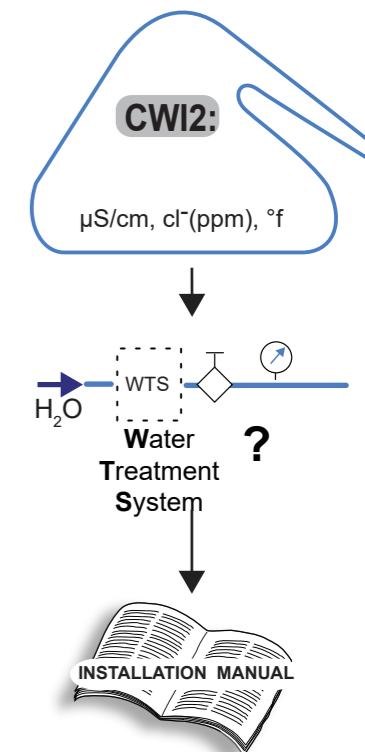
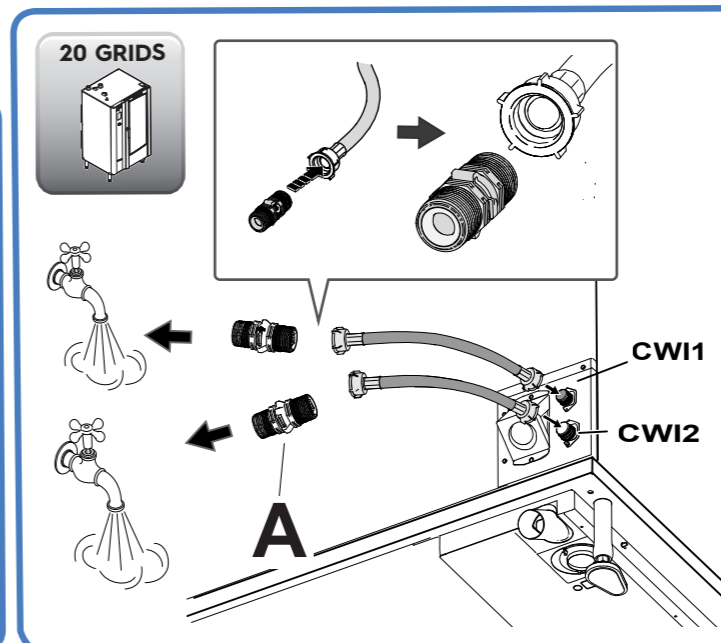
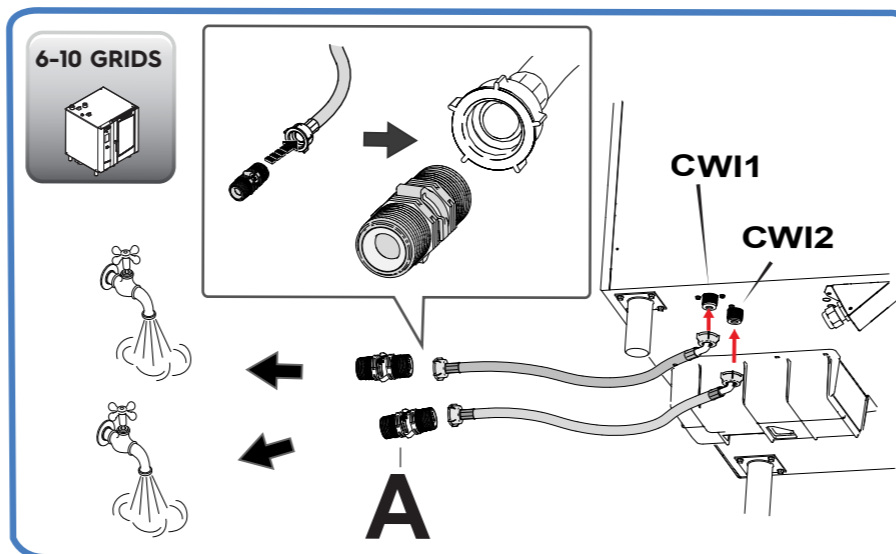
2

⚠️ PRESSURE
100 – 600 kPa
(1,0 – 6,0 bar / 14,5 – 87psi)

- min 1 l/min - max 10 l/min



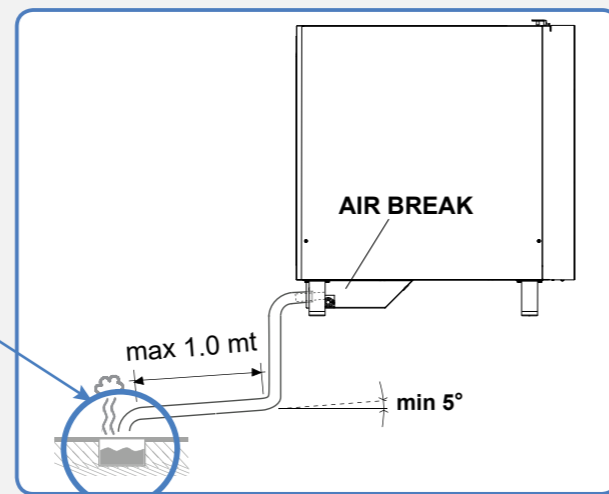
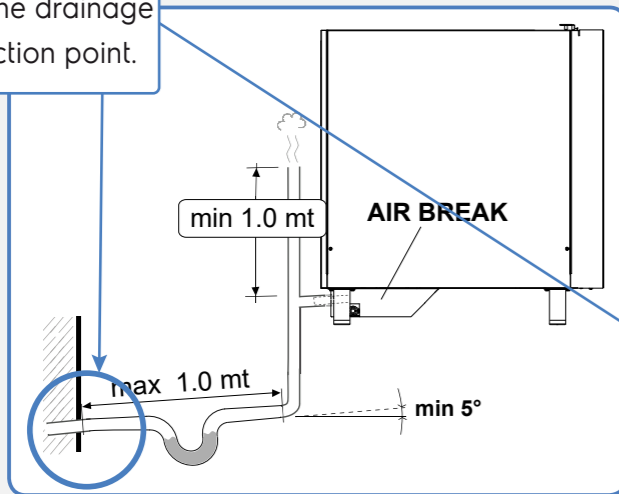
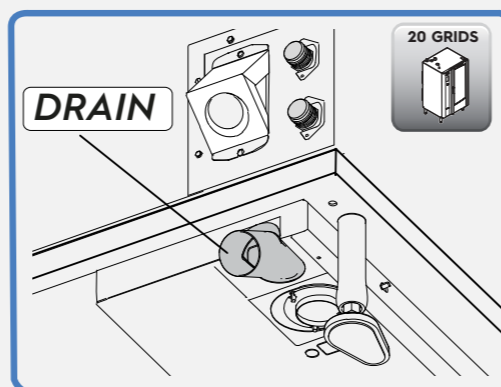
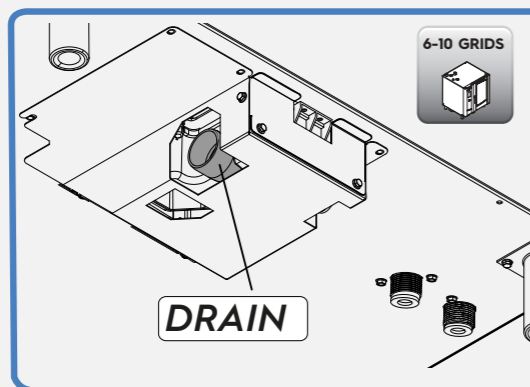
- min 0,25 l/min - max 2,95 l/min for 6-10 GN w/boiler models
- min 0,25 l/min - max 5,75 l/min for 20 GN w/boiler models



C - Drain Connection

3 Drain Hose ø50mm smooth fitting

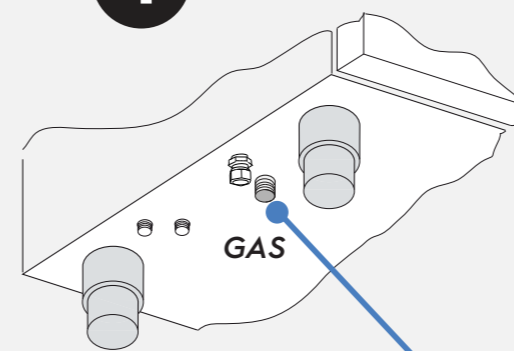
AUS only: The appliance shall be drained to a certified waste trap positioned at the drainage system connection point.



D - Gas Connections

(GAS OVEN ONLY)

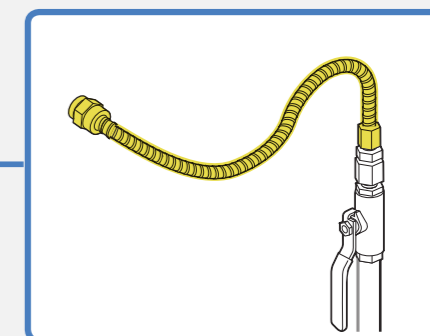
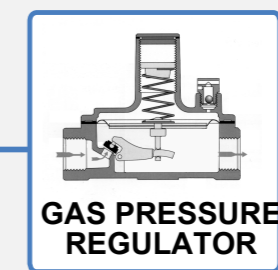
4



ø1" 20 GRIDS 1/1
ø1" 20 GRIDS 2/1
ø1" 10 GRIDS 2/1

ø1/2" 6 GRIDS 1/1
ø1/2" 16 GRIDS 2/1
ø1/2" 10 GRIDS 1/1

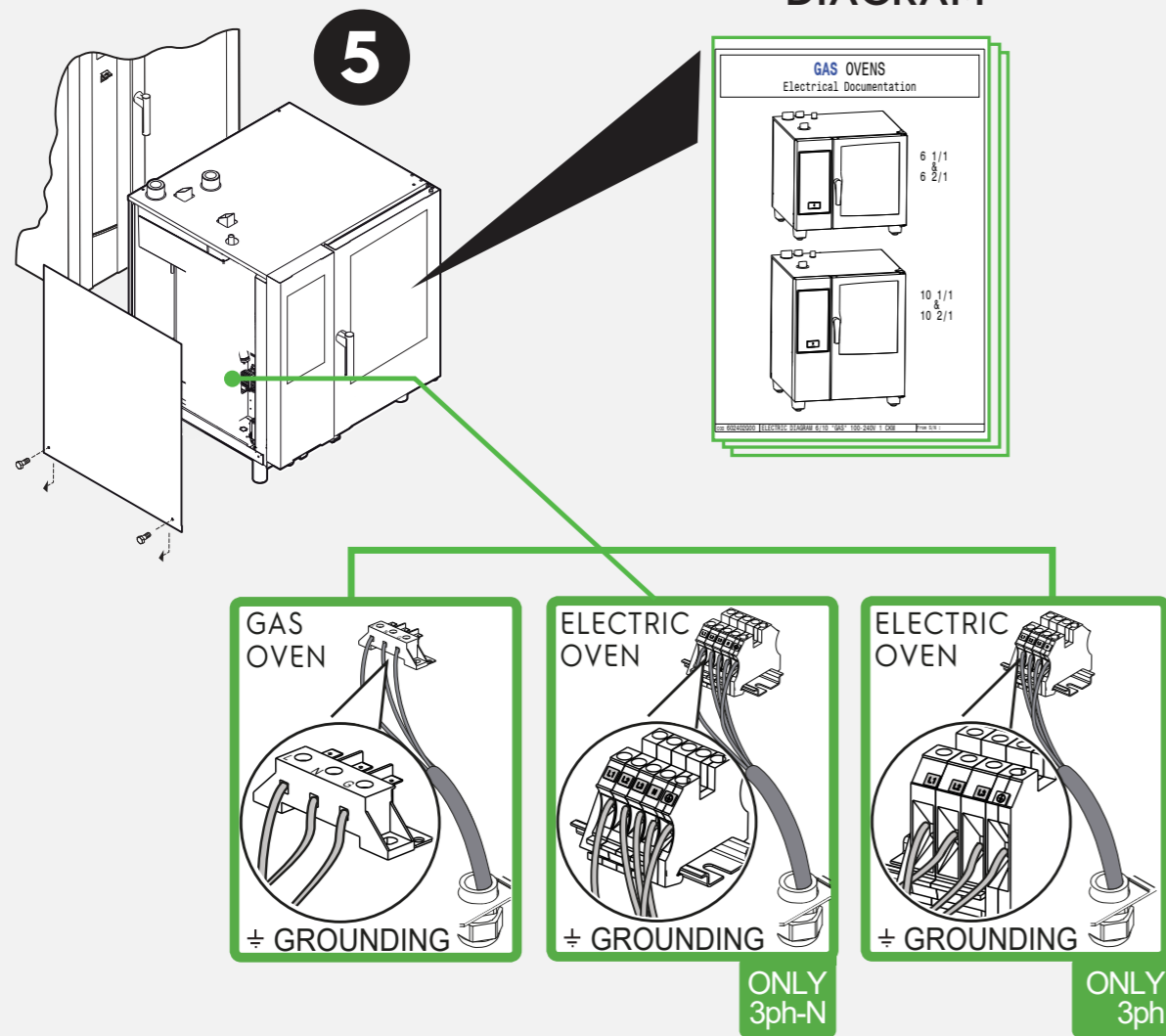
⚠️ GAS PRESSURE
INSTALLATION MANUAL



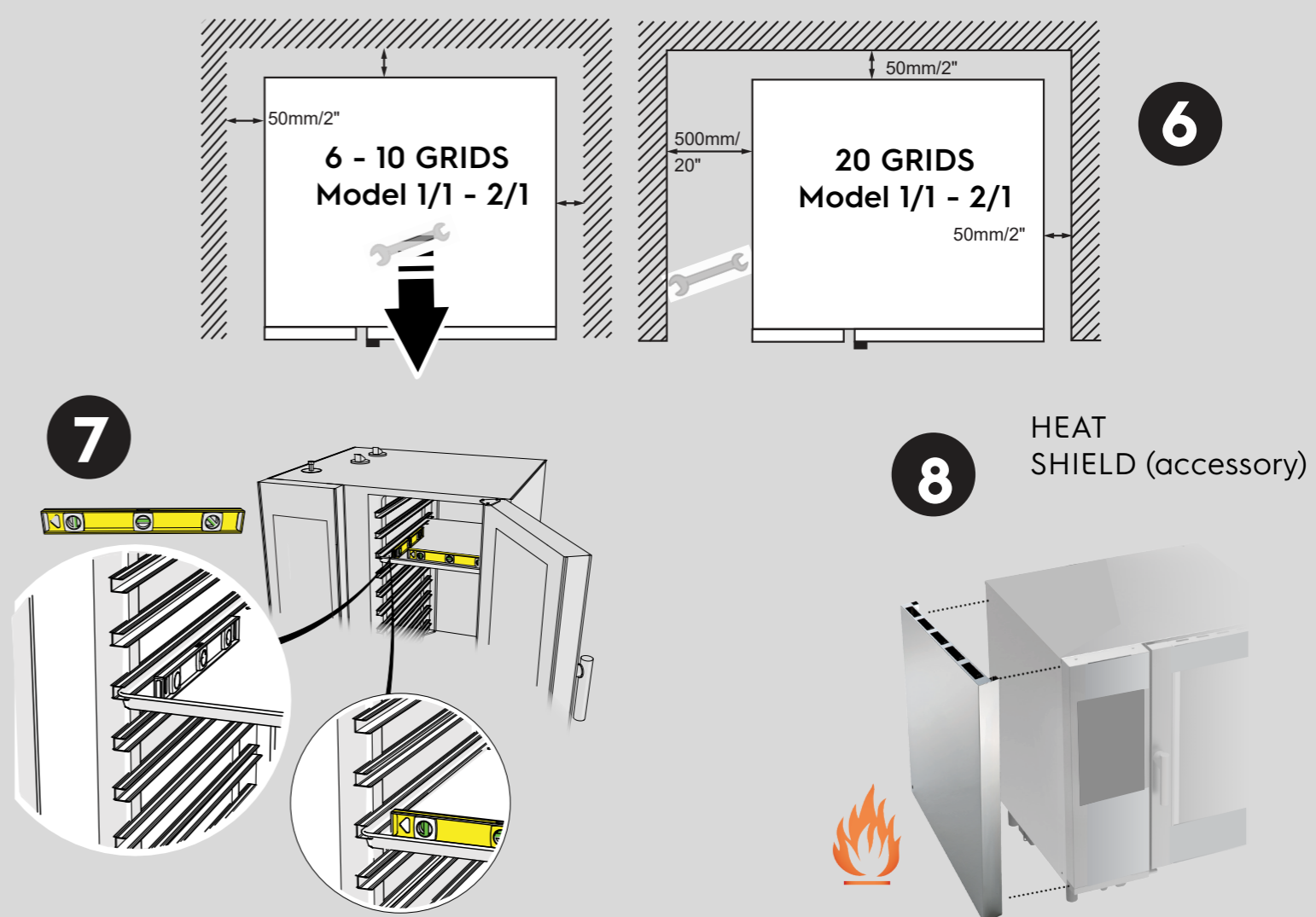
GAS INLET →



E - Electrical connections



F - Positioning



G - Set up

