

SINGLE-LOAD TOP-LOAD WASHERS

MAT23MNAGW/KW



NON-VEND
MAT23MNAGW (pictured)



DEEP-WATER WASH

- A traditional top-load wash experience with deep-water wash and rinse cycle options for vigorous cleaning action
- Spin Fill ensures each load is soaked before wash cycle begins
- Large lid opening provides users unhindered access while loading and unloading



TRADITIONAL FLEX-VANE AGITATOR

- Powered by a ½ hp PSC motor and fin design to provide exceptional rollover performance
- Features four distinct wash patterns — from aggressive to gentle



- Generates outstanding clothes movement and extensive deep-cleaning action to tackle a variety of loads



CONTROLS TO MEET YOUR NEEDS

- Feature a simple user interface with robust, easy-to-use knobs



- Status indicator lights keep users informed



- Add items to wash during fill, wash, or rinse



BUILT TO LAST

- Watertight, flexible, triple-lip seal — helps keep moisture safely away from the shaft and protects the bearings
- Front-panel accessibility — provides fast entry to the motor, transmission, and wash tub for streamlined self-service
- Porcelain enamel top and lid — a durable finish that stands up to the demands of high traffic
- Full wrap console — designed to help protect the internal components

AMERICA
AN AMERICAN COMPANY FOR OVER 100 YEARS

See www.bluebadger.co.uk for warranty details.



End user benefits

VISIT BLUEBADGER.CO.UK FOR MORE INFORMATION.

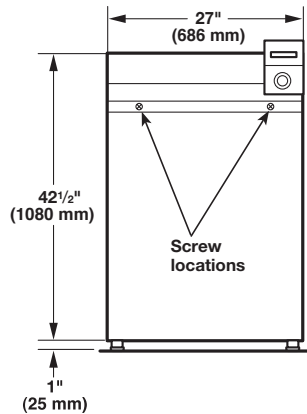
®/™ © 2023 Maytag. All rights reserved.
MY220176-REV 08/23

SINGLE-LOAD TOP-LOAD WASHERS

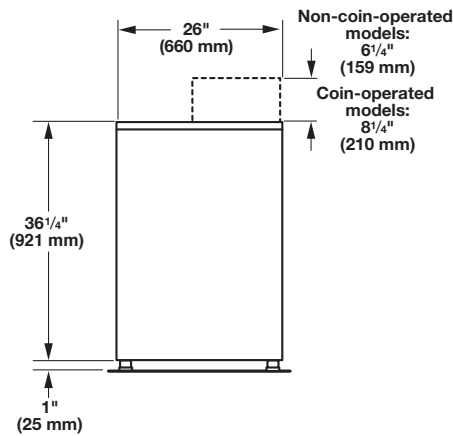
MAT23MNAGW/KW



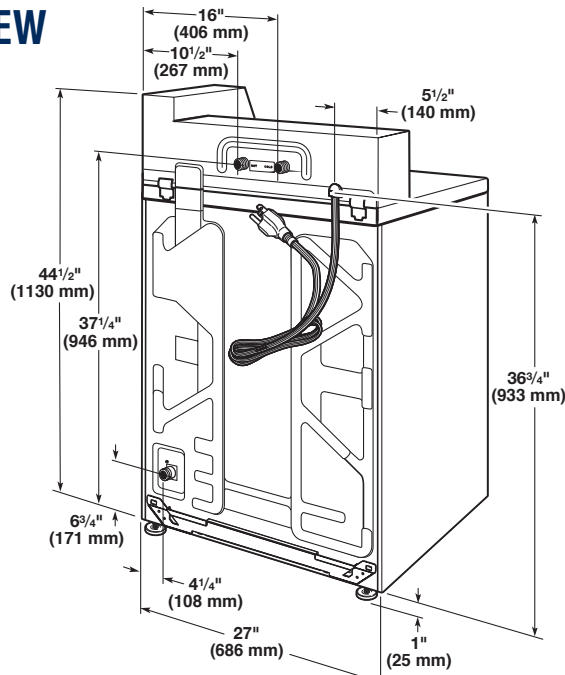
FRONT VIEW



SIDE VIEW



BACK VIEW



| MODELS | MAT23MNAGW | MAT23MNAKW |
|---|---------------|---------------|
| PAYMENT CONFIGURATION | Non-Vend | |
| CAPACITY | | |
| Cylinder Volume — cu. ft. (liters) | 3.27 (92.6) | 3.27 (92.6) |
| IEC Capacity — lb. (kg) | 23.2 (10.5) | 23.2 (10.5) |
| DIMENSIONS | | |
| Depth — in. (mm) | 26 (660) | 26 (660) |
| Width — in. (mm) | 27 (686) | 27 (686) |
| Height — in. (mm) | 42.5 (1,080) | 42.5 (1,080) |
| Lid Opening — in. (mm) | 17 (432) | 17 (432) |
| CRATED DIMENSIONS | | |
| Crated Width — in. (mm) | 29 (737) | 29 (737) |
| Crated Depth — in. (mm) | 27.5 (699) | 27.5 (699) |
| Crated Height — in. (mm) | 49 (1,255) | 49 (1,255) |
| APPROXIMATE WEIGHT | | |
| Uncrated — lb. (kg) | 145 (65.8) | 145 (65.8) |
| Crated — lb. (kg) | 163 (73.9) | 163 (73.9) |
| ELECTRICAL REQUIREMENTS | | |
| Voltage | 220–240V | 220–240V |
| Frequency | 50Hz | 60Hz |
| Breaker/Fuse — Amps | 10 | 10 |
| WATER INLET HOSE/DRAIN HOSE | | |
| Operating Pressure — psi (Bar) | 20–100 (1-8) | 20–100 (1-8) |
| Inlet Hose Length — ft. (m) | 6 (1.8) | 6 (1.8) |
| Drain Hose Length — ft. (m) | 4 (1.3) | 4 (1.3) |
| APPROXIMATE WATER USAGE | | |
| Average Total Water Usage Per Cycle — gallons (liters) | 24.65 (93.3)* | 24.65 (93.3)* |
| Average Hot Water Usage Warm Water Cycle — gallons (liters) | 0.53 (2) | 0.53 (2) |
| Average Hot Water Usage Hot Water Cycle — gallons (liters) | 6.51 (24.6) | 6.51 (24.6) |
| Extract Speed — Max G-Force/Max | 144 / 700 | 144 / 700 |
| Motor Size — hp (kW) | 1/2 (.37) | 1/2 (.37) |



*Based on 2018 United States DOE J2 Testing with factory preset cycles.
 Dimensions are for planning purposes only. See specific instructions for proper installation. Because of continuous product improvement, Maytag reserves the right to change specifications without notice.